



Front dimensions: Ø 24 mm
Panel cut-out: Ø 16 mm
Front bezel height: 12 mm
Travel: 6 mm





01 Pushbutton Heads

page 66

07 Key Actuators

page 69

02 Emergency Stop Buttons

page 67

08 Acoustic Buzzers

page 71

03 Mushroom Heads

page 67

09 Pilot Lights

page 73

04 Knob Set for Potentiometers

page 67

Contact Blocks / Lampholders

page 414


05 Selector Heads


page 68


06 Toggle Heads


page 68

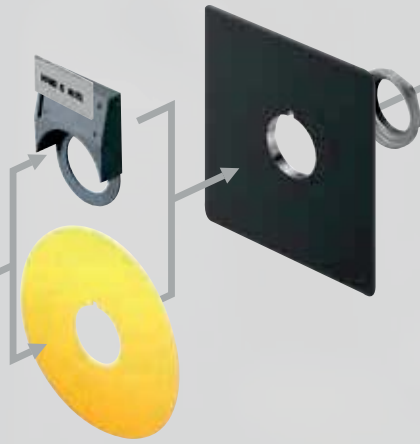









 degree of protection

 illuminating option

 operating travel

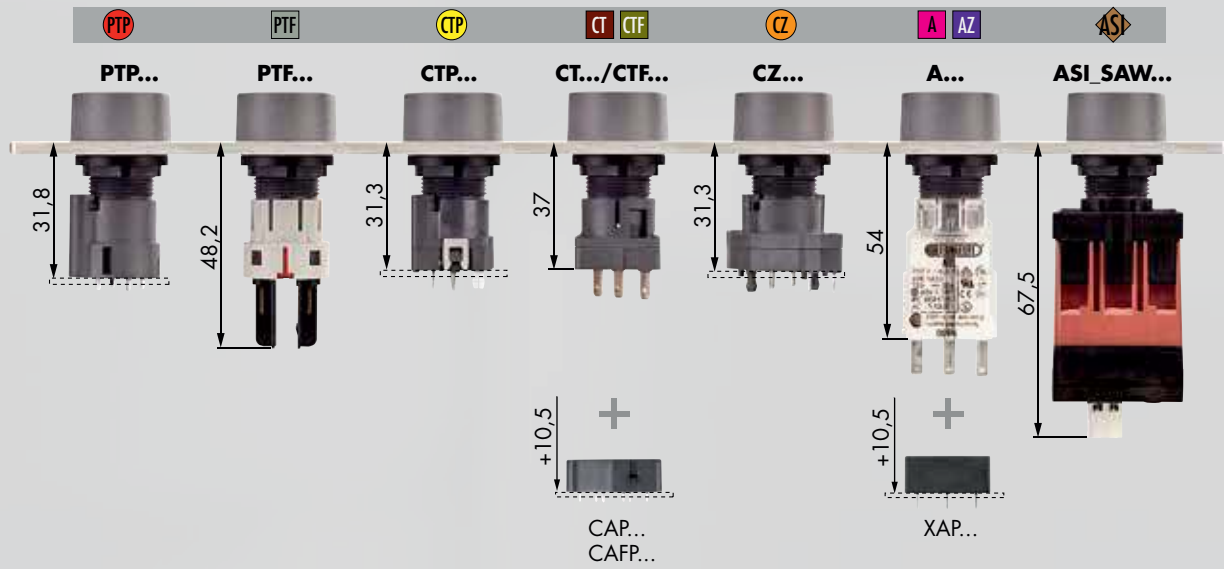
 labelling option



- 
AZ
 AT.../AF.../AZ...
 Contact Blocks
 Faston terminals
page 416
- 
CT
 CT...
 Contact Blocks
 Faston terminals
page 510
- 
CTP
 CTP...
 Contact Blocks
 PCB-mount terminals
page 486
- 
CTF
 CTF...
 Contact Blocks
 Faston terminals
page 494
- 
PTP
 PTP...
 Contact Blocks
 PCB-mount terminals
page 518
- 
PTF
 PTF...
 Contact Blocks
 Faston terminals
page 518
- 
ASI
 ASI...
 Contact Blocks
 for AS-Interface
 Safety @ Work
page 564

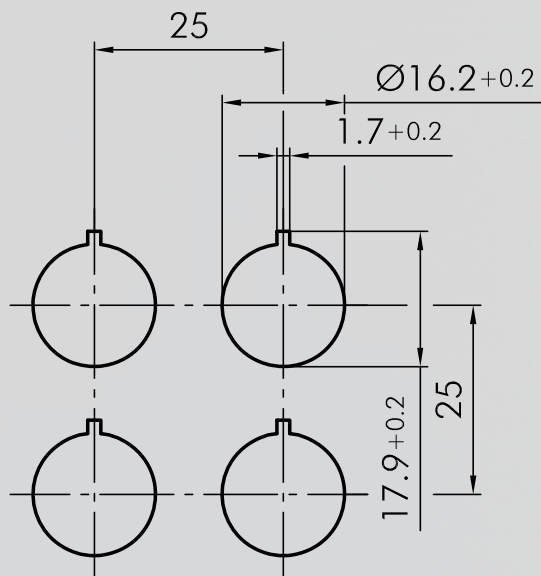


Mounting Depth Dimensions

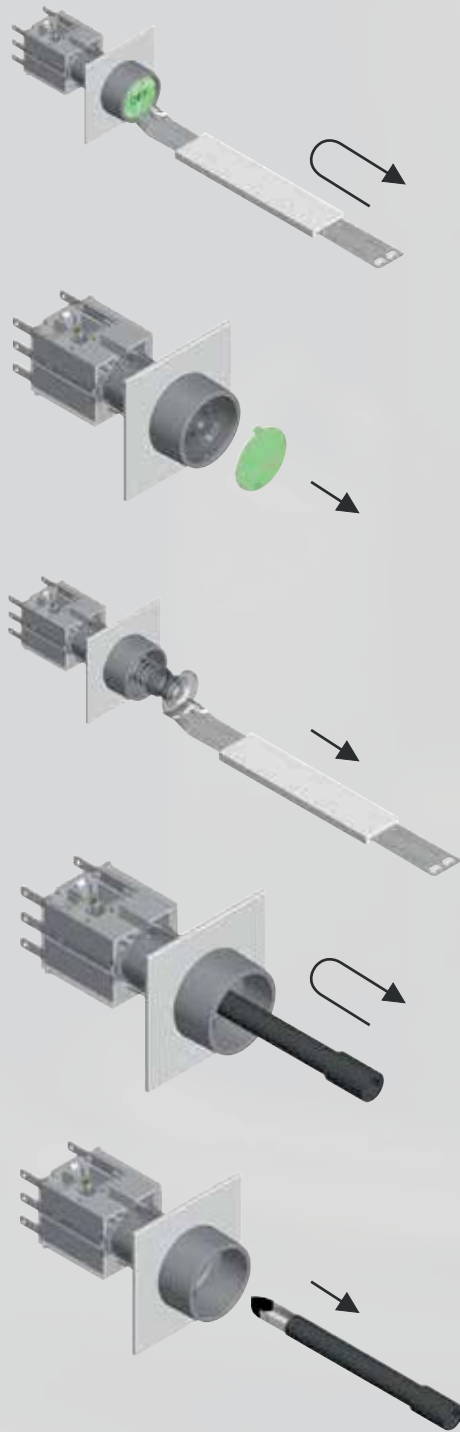


Cutout Dimensions

Min. mounting grid 25 x 38 mm when using external nameplate holders



Mounting and Service Instructions



Pushbutton Heads (momentary/push-push)

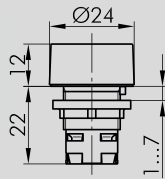
Lenses and nameplates to be ordered separately

Illustration

Dimensions

Description

Type



Pushbutton Head

suitable contact blocks



front bezel

charcoal

RXT



Flat Lens, transparent

colour

blue

T20FBL

yellow

T20FGB

green

T20FGN

clear

T20FKL

red

T20FRT

opalwhite

T20FWS



Flat Lens, non-transparent

used in pushbuttons without inscription and illumination

colour

blue

T20FGBL

yellow

T20FGGB

green

T20FGGN

black

T20FGSW

red

T20FGRT

white

T20FGWS



Nameplate

with standard imprint, please specify index number (see nameplates on pages 410)

BSRX...

Nameplate

with special imprint according to customer's specifications

BSRXB



Blank Nameplate

BSRXU



Sealing Cap

made of silicone rubber, down to -50°C

TK24S

Emergency Stop Buttons
Mushroom Heads
Knob Set for potentiometers

Illustration

Dimensions

Description

Type

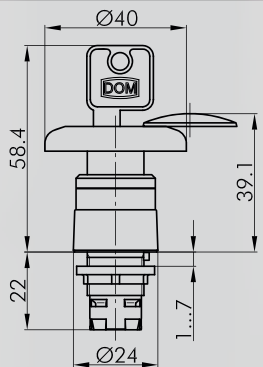


For further emergency stops, please refer to the chapter „Emergency-stop Heads“ starting on page 362

The emergency-stop heads can also be supplied as latching mushroom heads with mushrooms in different colours.

IP65

6mm



Mushroom Head, latch-type

latching in depressed position, key reset,
with keyhole cover
switching position indicator No
anti-lock collar No
release key release

suitable contact blocks

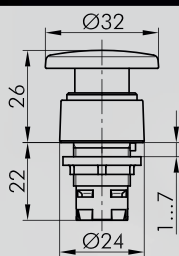
A AZ PTP PTF

mushroom head red
front bezel charcoal

RXVSCH

IP65

6mm



Mushroom Head, momentary

other mushroom colours on request
switching position indicator No
anti-lock collar No

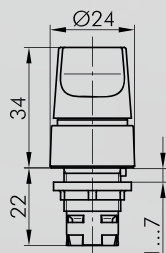
suitable contact blocks

A AZ CT CTF CTP CZ

mushroom head red
front bezel charcoal

RXS

IP65



Knob Set for potentiometers

for potentiometers of 6 mm shaft dia. and thread M10 x 0.75.
Delivery without potentiometer.

Shaft length: approx. 50 mm ± 4 mm

knob colour black
front bezel charcoal

RXR

**Selector Heads (momentary/maintained)
Toggle Heads**

I = Switching position
> = Spring return

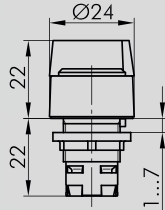
Illustration

Dimensions

Description

Type

IP65



Selector Head, maintained

suitable contact blocks



front bezel charcoal

suitable contact blocks



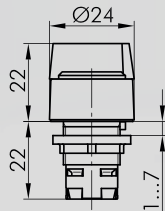
front bezel charcoal



RXWA

RXWB

IP65



Selector Head, momentary

suitable contact blocks



front bezel charcoal

suitable contact blocks



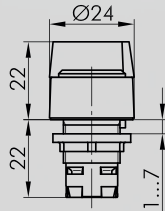
front bezel charcoal



RXSTA

RXSTB

IP65



Selector Head, left maintained, right momentary

suitable contact blocks

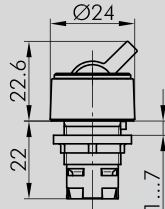


front bezel charcoal



RXWC

IP65



Toggle Head

other toggle colours on request

suitable contact blocks



knob colour red

front bezel charcoal

RXK

Key Actuators (momentary/maintained)

- I = Switching position
- > = Spring return
- = Key removable position

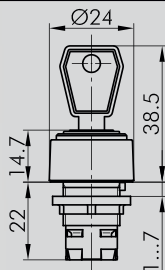
Illustration

Dimensions

Description

Type

IP65



Key Actuator, maintained

including two keys
other lock types on request

suitable contact blocks

A AZ

front bezel charcoal



RXSSA12E

suitable contact blocks

A AZ

front bezel charcoal



RXSSA13E

suitable contact blocks

A AZ CT CTF CTP CZ

front bezel charcoal



RXSSA14E

suitable contact blocks

A AZ CT CTF CTP CZ

front bezel charcoal



RXSSA15E

suitable contact blocks

A AZ CT CTF CTP CZ

front bezel charcoal



RXSSA17E

suitable contact blocks

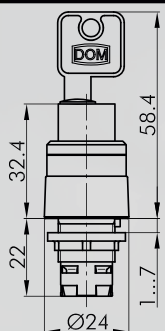
A AZ CT CTF CTP CZ

front bezel charcoal



RXSSA18E

IP65



Lockable Pushbutton Head

including two keys

Type N:

Depresses with or without key. Lock latches in depressed position and resets with key turned clockwise. Key removable in both positions.

Type 1:

Depresses only with key turned clockwise. Turn key into vertical position, the lock latches. Reset by turning key clockwise. Key removable in both vertical positions.

Type 2:

Depresses only with key in the right position (= basic position). Turn key into vertical position, the lock latches. Key only removable in the latching position. Reset by turning key clockwise.

Type 3:

Depresses only with key turned clockwise. The lock does NOT latch in depressed position (key neither turnable nor removable in depressed position; MOMENTARY). Key only removable in the off-position.



suitable contact blocks

A AZ CT CTF CTP CZ

front bezel charcoal

RXSCHA...

Accessories for Actuators

Illustration	Dimensions	Description	Type
		Spare Keys standard spare key, specify key number for special locks	ES3A36
		Spare Key (standard) standard spare key, specify key number for special locks	ESE845

Accessories

Control Units

Door Technology


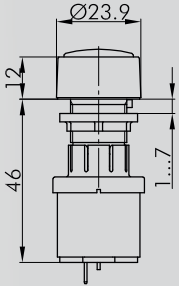

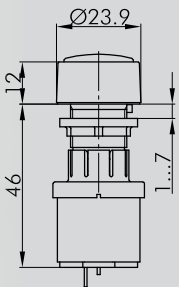

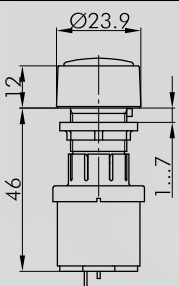

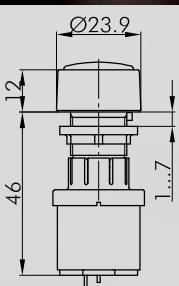
Pushers

Smart Solutions




Special Solutions

Special Tools

Buzzers

Illustration	Dimensions	Description	Type
		<p>Buzzer</p> <p>operating voltage: 12 ... 24V AC/DC operating current: max. 30mA signal frequency: 3.5 +/- 0.5 Hz volume: max. 90 db (10cm, 24V) max. 80 db (10cm, 12V)</p> <p>operating temperature: -20°C ... 60°C front bezel: charcoal</p>	RXNSG+SG-24V
		<p>Interval Buzzer</p> <p>operating voltage: 12 ... 24V AC/DC operating current: max. 30mA signal frequency: 3.5 +/- 0.5 Hz volume: max. 87 db (10cm, 24V) max. 85 db (10cm, 12V)</p> <p>interval: 1 s operating temperature: -20°C ... 60°C front bezel: charcoal</p>	RXNSG+SGL-24V
		<p>Illuminated Buzzer</p> <p>Operating voltage: 12 ... 24V AC/DC Operating current: approx. 30mA Signal frequency: 3.5 +/- 0.5 kHz Volume: max. 90 db (10cm, 24V) max. 80 db (10cm, 12V)</p> <p>Operating temperature: -20°C ... 60°C front bezel: charcoal</p>	RXNSGL+SGLR-24V
		<p>Illuminated Interval Buzzer</p> <p>Operating voltage: 12 ... 24V AC/DC Operating current: approx. 30mA Signal frequency: 3.5 +/- 0.5 kHz Volume: max. 90 db (10cm, 24V) max. 80 db (10cm, 12V)</p> <p>Interval: 1s Operating temperature: -20°C ... 60°C front bezel: charcoal</p>	RXNSGL+SGLR-24V


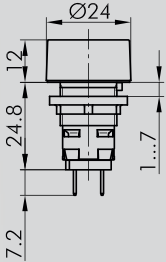

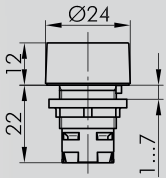




Accessories for Contact blocks

Illustration	Dimensions	Description	Type
		Faston Clamp 2.8 x 0.8 mm with snap-in pin Cross section 0.75 - 1.50 mm ² , brass, with pin to snapfit into the socket XA, XAL and the insulating case IH2.8	FH2,8
		Insulating Case for Faston clamp FH2,8, slip on from the front	IH2,8
		Double Faston for the connection of 2 Faston clamps FH2.8	FD2,8




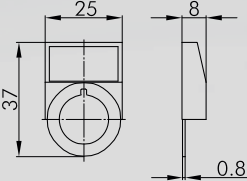


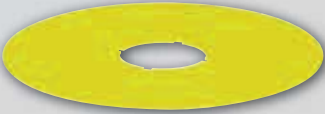
- Accessories
- Control Units
- Bus Technology
- Truckcases
- Light Switches
- Push Buttons
- Emergency Stop

Pilot Light Heads/Pilot Lights



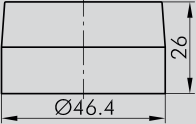
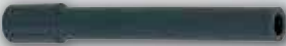


Lenses and nameplates to be ordered separately

Illustration	Dimensions	Description	Type
 <p>IP65 Lightbulb icon Pencil icon</p>	 <p>Ø24 12 24.8 7.2 1...7</p>	<p>Pilot Light with Faston terminals 2.8x0.8 mm T5.5K socket front bezel charcoal</p>	RXL5
 <p>IP65 Lightbulb icon Pencil icon</p>	 <p>Ø24 12 22 1...7</p>	<p>Pilot Light Head suitable lampholders A CT CTF CP CZ front bezel charcoal</p>	RXN
		<p>Hemispherical Lens colour blue yellow green clear red opalwhite</p>	<p>KH20BL KH20GB KH20GN KH20KL KH20RT KH20WS</p>
		<p>Flat Lens, transparent colour blue yellow green clear red opalwhite</p>	<p>T20FBL T20FGB T20FGN T20FKL T20FRT T20FWS</p>
		<p>Nameplate with standard imprint, please specify index number (see nameplates on pages 410)</p>	BSRX...
		<p>Nameplate with special imprint according to customer's specifications</p>	BSRXB
		Blank Nameplate	BSRXU

Accessories for Actuators

Illustration	Dimensions	Description	Type
		Hexagonal Mounting Tool with torque limitation, for the series OKTRON, OKTRON-JUWEL, OKTRON-R, RONTRON-R-JUWEL, RONTRON-R-Exclusive, RONTRON-Q- JUWEL, RONTRON-Q-Exclusive, QUARTRON(-L), QUARTRON- JUWEL(-L), RX, RX-JUWEL	S16
		Mounting Tool Adapter with 1/4" connections for mounting tools S16 and S22	SRA
		External Nameplate Holder for outside marking of the actuators of the RX series, accepts self- adhesive nameplates colour charcoal	RXABT
		Self-adhesive Nameplate - laser-printed Inscription according to customer's specification Dimensions: 22 x 11 mm	BZ16G
		Self-adhesive Nameplate - blank Dimensions: 22 x 11 mm	BZ16U
		Self-adhesive Nameplate with standard inscription, please specify index no. (see nameplates) Dimensions: 22 x 11 mm	BZ16B...
		Yellow Nameplate self-adhesive PVC foil printing on request outer dia. 60 mm for mounting dia. 16 mm colour yellow	NAS_16

Accessories for Actuators

Illustration	Dimensions	Description	Type
		<p>Yellow Nameplate with quadrilingual imprint self-adhesive PVC foil outer dia. 60 mm for mounting dia. 16 mm colour yellow</p>	NAS_16_548
		<p>Protective Shroud for actuators of 16 mm mounting dia. colour yellow charcoal</p>	QXSK QXSKDG
		Lamp Remover	LZ-MG
		Universal Lens Remover	USK
<p data-bbox="108 1301 140 1330">IP65</p> 		<p>Round Dummy to close unused mounting apertures colour charcoal</p>	RX16

Bus Technology
 Central Units
 Accessories
 Terminals
 Limit Switches
 Push Buttons
 Terminal Blocks