

HAZARDOUS AREA HEATER

CREX 020 | 50 W, 100 W (T5)



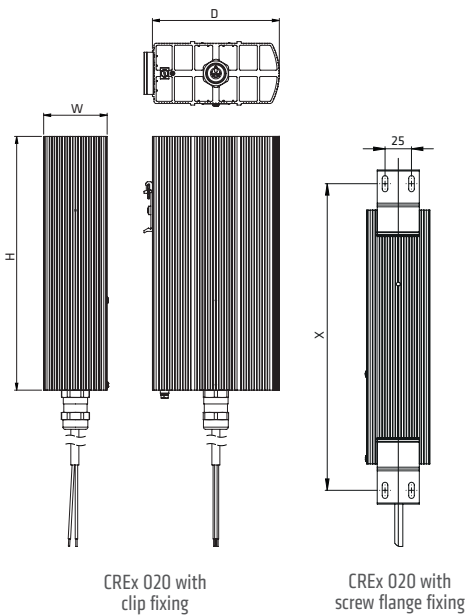
- > For areas with explosion and firedamp hazard
- > Large convection surface
- > Clip and screw flange fixing
- > Ready-to-use with strain relief
- > Maintenance free
- > Temperature class T5

Compact convection heater of temperature class T5 (Surface temperature 100 °C max.) for the prevention of formation of condensation, temperature fluctuations, and for protection against frost within control and switch cabinets, as well as measuring equipment located in areas with explosion hazard, underground mines or mines susceptible to firedamp.



TECHNICAL DATA

Ex Protection type	Ex II 2 GD
Gases	Ex db IIC T5 Gb
Dusts	Ex tb IIIC T100°C Db IP66
Mine applications	I M2 Ex db I Mb
Surface temperature	< +100 °C (+212 °F)
Heating element	high performance cartridge
Heating body	aluminium profile, silver anodised
Connection	1 m silicone cable (halogen-free) 3 x 0.75 mm ²
Connection PE	0.75 to 2.5 mm ²
Mounting	clip for 35 mm DIN rail, EN 60715 for heating body size 120 x 60 mm and screw fixing with 2 plug-on flanges for all heating body sizes, optional widthwise mounting
Fitting position	vertical airflow (connection on bottom)
Operating/Storage temperature	-60 to +50 °C (-76 to +122 °F) / -60 to +85 °C (-76 to +185 °F)
Operating/Storage humidity	< 90 % RH (non-condensing)
Protection type/Protection class	IP66 / I (earthed)
Approvals	EPS 16 ATEX 1109 X IECEx EPS 16.0048X IN METRO DNV 18.0010 X EAC TC RU C-FR.ГБ08.В.02639



Art. No.	Hole spacing for screw flange fixing	Operating voltage	Heating capacity	Rec. pre-fuse T (time-delayed)	Dimensions (D x W x H)	Weight approx.
02051.0-00	225 mm	AC 230 V	50 W	0.5 A	120 x 60 x 180 mm	1.4 kg
02052.0-10 ¹	350 mm	AC 230 V	100 W	1.0 A	160 x 80 x 300 mm	2.8 kg
02051.9-00	225 mm	AC 120 V	50 W	1.0 A	120 x 60 x 180 mm	1.4 kg
02052.9-10 ¹	350 mm	AC 120 V	100 W	2.0 A	160 x 80 x 300 mm	2.8 kg

¹ only screw flange fixing