

OMUS®

Electronic hybrid switch for resistive loads.

User manual

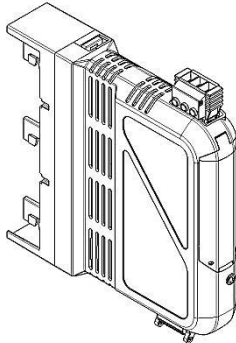
Revision 8, March 2017

Contents

1	Design variants	38
2	OMUS® Overview	39
2.1	Application	40
2.2	Incorporation of OMUS® into process control.....	41
2.3	Galvanic isolation & short-circuit protection	41
2.4	Line protection.....	43
2.5	Switching processes in the hybrid switch	43
2.6	Adhering to limit values in switching processes	43
2.7	Adjustability of the power output.....	46
2.8	Suitability of the application	47
3	Safety instructions / Installation instructions.....	48
4	Product table	49
5	Commissioning	50
5.1	Connections	50
5.2	Installing and connecting the main circuits.....	51
5.3	Meaning of the LED indicators	52
5.4	Disassembly and replacing devices	52
5.5	Replacing a fuse	53
5.6	Checklist.....	54
6	User interface.....	55
6.1	Front view	55
6.2	Overview of display functions.....	56
6.3	Eplan symbol.....	57
6.4	Switching variants	58
7	Configuration of OMUS®	59
7.1	Menu structure	60
7.2	Three-phase settings.....	61
7.3	Single-phase settings	62
7.4	Restoring to factory settings	63
7.5	Standby	63
8	Function description	64
8.1	Auto(matic) mode.....	64
8.2	Settings menu	64
8.3	Manual mode.....	64
8.4	Warning	65
8.5	Error	66
8.6	Acknowledgement of messages.....	67
8.7	Interruption	67
9	Technical data	68

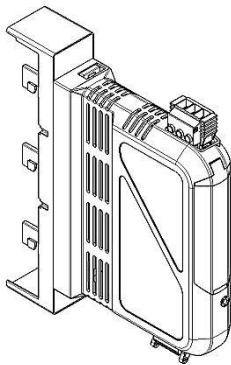
1 Design variants

OMUS®30Compact



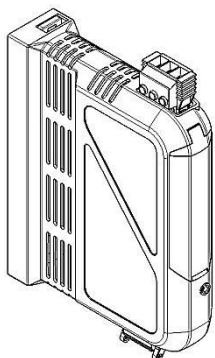
Type	Pack Size	Weight kg/100	Part No.
OMUS®30Compact, IEC	1	45.2	36 152
OMUS®30Compact, UL and IEC	1	45.2	36 157

OMUS®60Classic



Type	Pack Size	Weight kg/100	Part No.
OMUS®60Classic, IEC	1	45.8	36 153
OMUS®60Classic, UL and IEC	1	45.8	36 158

OMUS®CrossBoard

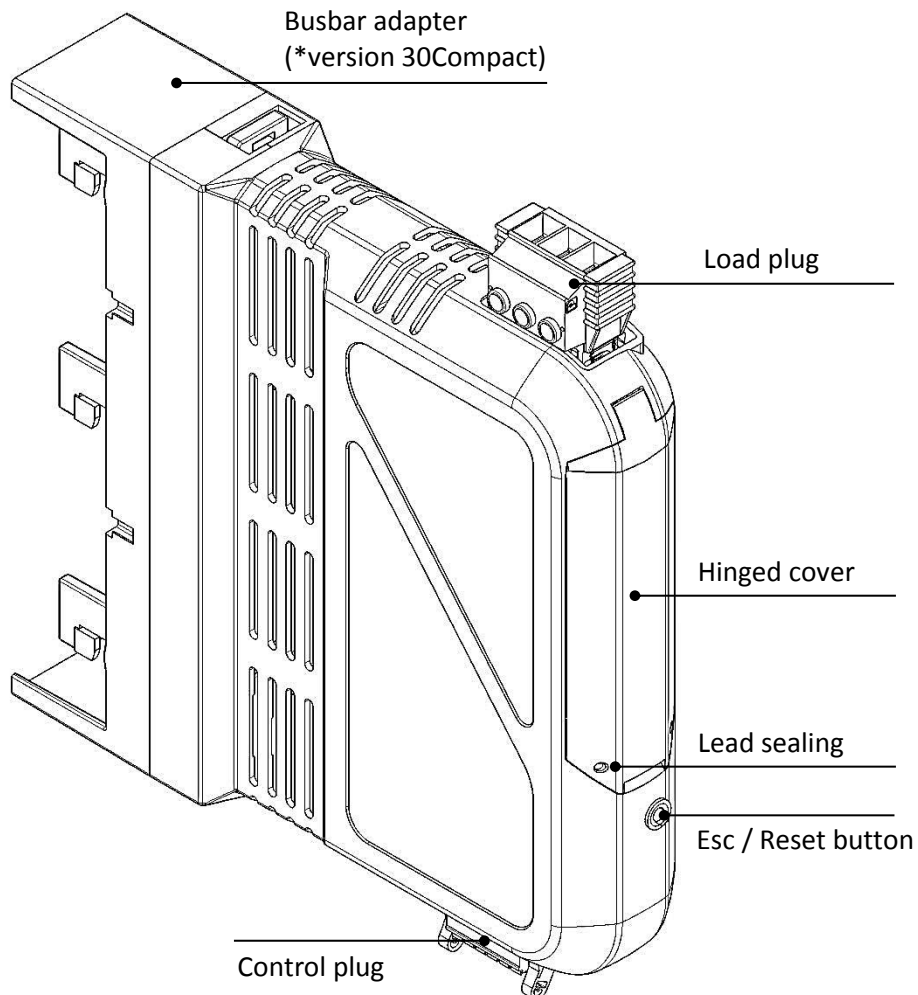


Type	Pack Size	Weight kg/100	Part No.
OMUS®Crossboard, IEC	1	35.7	36 154
OMUS®Crossboard, UL and IEC	1	35.7	36 159

2 OMUS® Overview

OMUS®

Electronic hybrid switch for resistive loads.



The OMUS® electronic hybrid switch is a compact switching device with a width of 36 mm. The hybrid switch is composed of a combination of relay contacts and power semi-conductors, integrated short-circuit protection as well as electronic current and temperature monitoring for operational switching of resistive loads (IEC up to 25 A / 400V AC; UL up to 20A / 480V AC). The universal *CrossLink*-interface at the connection side enables fast electrical and mechanical connection with various busbar systems.

2.1 Application

The OMUS® hybrid switch has been developed for areas of application in which contactors, overload relays, solid state relays and mechanical switches have previously been used.

This device was designed for the frequent switching of:

- single-pole resistive loads (phase-neutral) and
- three-pole resistive loads

This is a product for environment A (industry) regarding EMC. In environment B (household) this device may cause undesirable interference; in this case the user has to find appropriate counteraction to reduce electromagnetic interference. No powerful electrostatic charges may be transferred to the OMUS® from the load side. An external switching element is required for galvanic isolation. This could be a contactor or circuit breaker, for example. In a non-operational status, the OMUS® error relay will issue a signal. In order to interrupt an unintentional continuous current flow in case of an error, an external switchgear must ensure the interruption of the load circuit. The short-circuit protection is implemented via integrated fuses.

The combination of the functions

- Hybrid switch
- Feed
- Fuse
- Monitoring

enables a maximum space advantage in comparison to a group composition of three discrete devices with comparable properties.

2.2 Incorporation of OMUS® into process control

OMUS® can be actuated with the help of a programmable logic controller (PLC). The precise specification for the input signals of OMUS® is described in detail, in chapter 9 *Technical data*, as well as in 2.5 *Switching processes in the hybrid switch*. The defined limit values such as a maximum switching frequency of 1Hz and minimum on and off duration of 100ms must be strictly adhered to in order to guarantee proper operation.

OMUS® possesses numerous self-diagnostic and safety monitoring mechanisms. Warnings and errors are routed to the analysis unit via the signal relays.

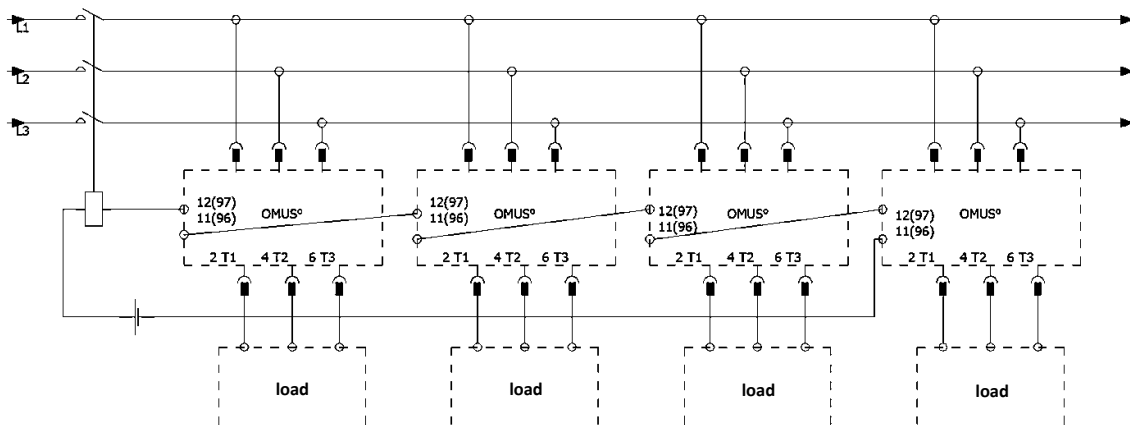
The incorporation and active processing of the *warning* or *error* messages into the corresponding control of the system is necessary in order to achieve the maximum system dependability.

If the limit values are exceeded, e.g. the minimum switch on time, OMUS® has a software-based self-diagnostic system, and will ignore unreliable control commands. The incorrect actuation will not be issued by a signal.

2.3 Galvanic isolation & short-circuit protection

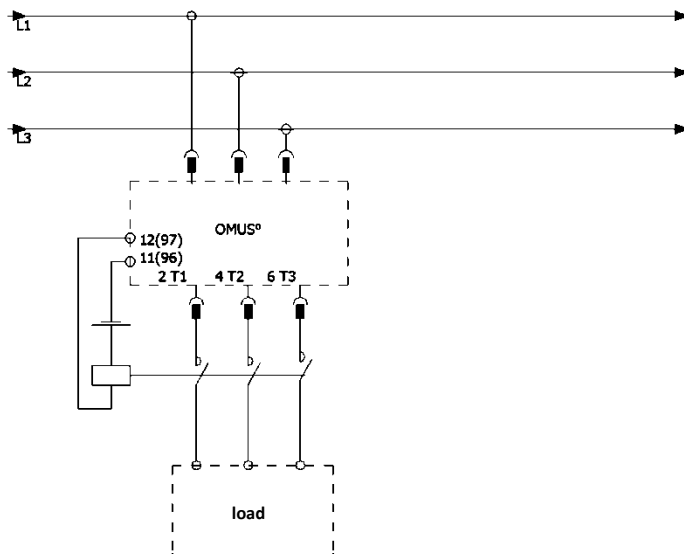
The device does **not have an internal galvanic isolation**. In the event of an error, OMUS® switches off as normal without being fully galvanically isolated. **An external switching element is required for galvanic isolation**. The galvanic isolation can be realized on the part of the feed.

Galvanic isolation on the part of the feed:



The galvanic isolation can also be realized between OMUS® and corresponding load.

Galvanic isolation on the part of the load:



Common devices for the implementation of a galvanic isolation are contactors or circuit breakers. In a non-operational status, the OMUS® error relay will issue a signal. In order to interrupt an unintentional continuous current flow in case of an error, an external switchgear must ensure the interruption of the load circuit.

The short-circuit protection is implemented via integrated fuses. An upstream short-circuit protection module is only required from an uninfluenced short-circuit current I_{CP} above 30kA. For the UL design (with internal fuse Class CC 30A according to UL), an SCCR value of 30kA was verified. The electronic hybrid switch OMUS® complies with coordination type 1.

2.4 Line protection

The line protection of the connected line is realized by setting the correct current limit (16A, 20A or 25A). In order to ensure line protection with OMUS® depending on the configured current, at least the following wire cross-sections at the load plug have to be adhered to. The following values comply with the single installation of OMUS®. The specified wire cross-sections are additionally depending on the deratings for side-by-side installation (see chapter 9 Technical data) and if necessary installation type!

Connected wire cross-section	Permitted adjustable current limits	Permitted load current (load plug with screw terminals Art.-Nr. 36918)	**Permitted load current (load plug with spring terminals Art.-Nr. 36916)
2,5mm ²	16A, 20A	20A	16A
4mm ²	16A, 20A, 25A	25A	20A
*6mm ²	16A, 20A, 25A	25A	20A

*higher wire cross-section enables better heat dissipation

**spare component

If a wire cross-section below 2,5mm² is used, the line protection has to be realized either by using smaller fuses within OMUS® or adapting the pre-fuse.

2.5 Switching processes in the hybrid switch

OMUS® combines the advantages of power semi-conductor and relay technology. The interplay of both technologies is referred as hybrid switch. When OMUS switches on, the semi-conductor carries the current so that the relay can be switched on with low wear. The continuous current then flows through the relay, which generates significantly lower power loss in comparison to the semi-conductor. When OMUS switches off, the semi-conductor once again carries the current in the hybrid switch in order to open the relay contact with minimal current arcing. In comparison to a purely relay solution, this functionality allows for a significantly longer lifetime. Compared to a pure semi-conductor solution, the hybrid switch operates with much greater efficiency. The high degree of efficiency translates to lower power loss in the device.

2.6 Adhering to limit values in switching processes

The electronics switch the load on and off at the zero crossing of the load voltage. The switch on and off commands are carried out after a delay (max. 80ms). The minimum duration of the switch on impulse has to be 100ms. The maximum switching frequency may not exceed 1Hz. The minimum load current is 2A. The proper functionality of the device cannot be guaranteed if the limit parameters are not adhered to. The electronics continuously monitor the correct

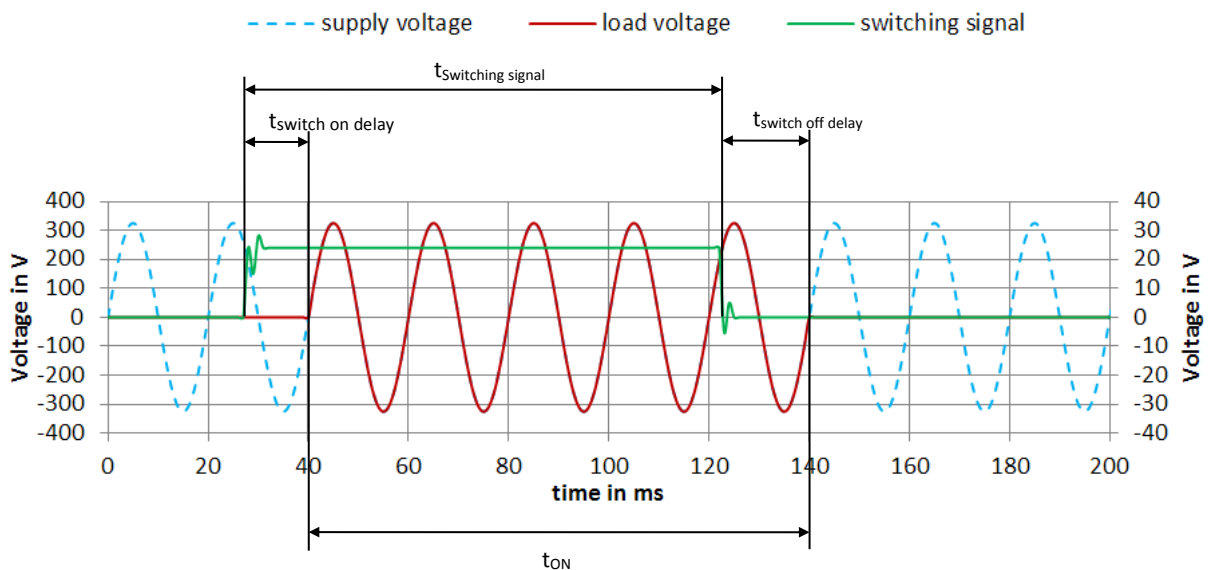
performance of the control commands and the power consumption in all phases. Switching processes must be conducted in line with the following rules in order to achieve a high switch rate, long lifetime and low power loss:

- Maximum switching frequency f 1 Hz
- Minimum switch on duration t_{ON} 100ms
- Minimum switch off duration t_{OFF} 100ms
- Minimum load current $I_{nc\ min}$ 2A
- Usage only with connected functional ground PE (Input 2 control plug)



Note: Please complete commissioning in conjunction with working through the checklist in subsection 5.6!

Example: Switch on and off process with minimum switching duration of 100ms:

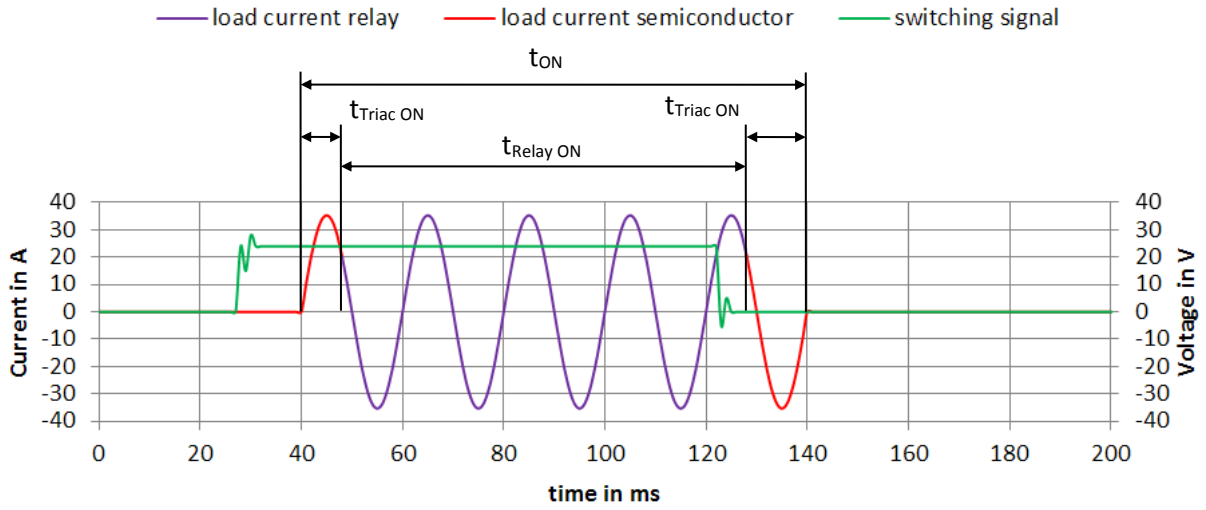


Designation	Limit value	In example
$t_{\text{switch on delay}}$	max. 80ms	approx. 13ms
$t_{\text{switch off delay}}$	max. 80ms	approx. 17ms
$t_{\text{switching signal}}$ (duration of the switch on impulse)	min. 100ms	approx. 100ms
t_{ON} : (Switch on duration of load)	min. 100ms	approx. 100ms

Power output 3-phase at 25A load current:

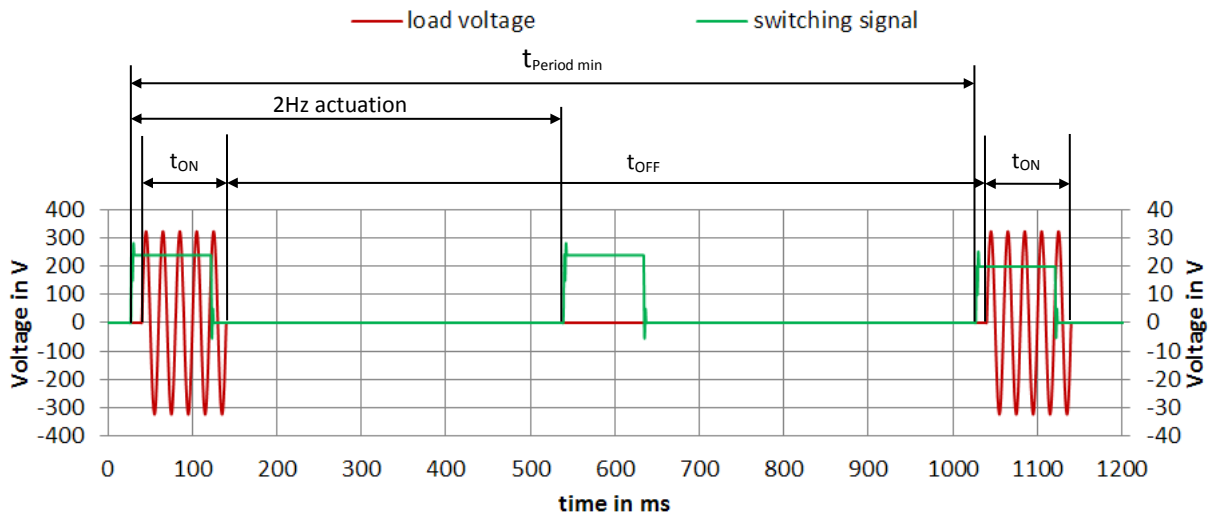
- 20W power loss in continuous operation (all relays permanently on, $t_{\text{Relay ON}} \gg 1s$)
- temporary 3-fold power loss during switch on or switch off ($t_{\text{Triac ON}}$)

Exemplary switch on and off process with hybrid switches in detail (current flow)



Designation	Limit value	In example
$t_{Triac\ ON}$ (Switch on duration of Triac)	max. 20ms	approx. 8ms switch on approx. 12ms switch off
$t_{Relay\ ON}$ (Switch on duration of relay)	min. 80ms	approx. 80ms
t_{ON} (Switch on duration of load)	min. 100ms	approx. 100ms

Example: Switching cycle with max. switching frequency 1Hz and min. switch on duration 100ms



Incorrect actuation (in this case: 2Hz) is ignored!

Designation	Limit value	In example
$t_{Period\ min}$ (Minimal period duration between impulses)	min. 1000ms	approx. 1000ms
t_{OFF} (Switch off duration of load)	min. 100ms	approx. 900ms

2.7 Adjustability of the power output

The adjustability of the power output of OMUS® occurs depending on the actuation. In continuous operation, the consumer is continuously actuated. The output can be switched in a timed manner to reduce the power output. The duty cycle D is characterized by the relationship between duration of the actuation impulse and period duration of the timing:

$$D = \frac{t_{ON}}{t_{Period}}$$

The actuation limit parameters must be adhered to for the timing of the output. The prescribed minimum switching duration for the load of 100 ms results in a duty cycle of 10% for the maximum switching frequency of 1 Hz.

$$D = \frac{t_{ON}}{t_{Period\ min}} = \frac{100ms}{1000ms} = 10\%$$

The max. duty cycle in timed operation at a maximum switching frequency of 1 Hz is 90%:

$$D = \frac{t_{ON}}{t_{Period\ min}} = \frac{900ms}{1000ms} = 90\%$$

The max. control accuracy is determined by supply frequency and switching frequency. At 50Hz-supply frequency and 1Hz-switching frequency the max. control accuracy Acc is:

$$Acc = \frac{50Hz}{1Hz} = \frac{20ms}{1000ms} = 2\%$$

The limits of the duty cycle are depending on determined min. switch on and off times (100ms) and the variable switching frequency. At 1Hz-switching frequency the lower limit is 10%, the upper limit is 90%. In order to achieve a finer duty cycle, the switching frequency must be reduced. Example for 1% duty cycle:

Switching frequency to 0.1 Hz ($\cong 10s$ period duration)

$$D = \frac{t_{ON}}{t_{Period}} = \frac{100ms}{10000ms} = 1\%$$

Example for 99% duty cycle: Switching frequency to 0.1 Hz ($\cong 10s$ period duration)

$$D = \frac{t_{ON}}{t_{Period}} = \frac{9900ms}{10000ms} = 99\%$$

The duty cycle at a switching frequency of 0.1 Hz is adjustable between 1% and 99% in 0.2% steps.

Duty cycle	Switching frequency	t_{ON}	t_{OFF}	Control accuracy
1%	0,1Hz	100ms	9900ms	0,2%
10%	1Hz	100ms	900ms	2%
54%	1Hz	540ms	460ms	2%
90%	1Hz	900ms	100ms	2%
99%	0,1Hz	9900ms	100ms	0,2%

2.8 Suitability of the application

The basis for the use of OMUS® in the planned application is operation within the following limit parameters.

Electrical parameters OMUS®	Specification	
Type of load	resistive loads	
Max. load current $I_{nc\ max}$	25A (IEC)	20A (UL)
Min. load current $I_{nc\ min}$	2A (IEC)	2A (UL)
Max. operating voltage U_e	400V AC (IEC)	480V AC (UL)
Max. switching frequency f	1Hz	
Min. switch on duration t_{ON}	100ms	
Min. switch off duration t_{OFF}	100ms	
Max. switch on delay	80ms	
Max. switch off delay	80ms	

Actuation parameters (e.g. PLC)	Specification
Max. actuation impulse switching frequency $f_{impulse}$	1Hz
Min. duration of actuation impulse $t_{Switch\ on\ signal}$	100ms
Min. timeout duration $t_{Switch\ off\ signal}$	100ms

Parameter periphery	Specification
Evaluating the warning message	Detection and rectification of the warning's cause
Evaluating the error message	Using the error message contacts to switch off the load
Switch off the load during an error	galvanic isolation via external switchgear

The limit values of *Electrical parameters OMUS®* must be adhered to by the *Actuation Parameters* in order to guarantee orderly operation. The parameters listed only constitute the basis for possible use. Additional parameters must be observed for a successful application (see chapter 9 *Technical Data* and 2.5 *Switching processes in the hybrid switch*).

3 Safety instructions / Installation instructions

Obey all national safety, accident prevention and industrial safety regulations when carrying out work on the device. Failure to obey safety instructions may result in a good deal of property damage, severe health damage or even danger to life and limb. The device may only be commissioned, installed, modified and retrofitted by a trained electrician. Disconnect the (busbar) system from the power supply before starting work on the device or the loads.



If the semi-conductor elements break down or the relays are stuck, the electronics alone cannot turn off the load. In an irregular state, the error relay issues a signal. The layout of the semi-conductor elements means that there is no complete electrical isolation of the load from the main supply. In order to interrupt an unintentional continuous current flow in case of an error, an external switchgear must ensure the interruption of the load circuit.

The safety regulations set out in DGUV V3 (BGV A3) are to be used for work. During operation, parts of the electrical switchgear can carry dangerous voltage! Safety covers must not be removed from electrical switchgear during operation. Keep the user manual in a safe place! The device must not be installed in potentially explosive atmospheres. Obey the safety regulations which apply to the installation and operation of related equipment. The device must not be exposed to mechanical or thermal stresses which exceed the limits described in the user manual. If necessary, the device may be installed in an appropriate housing with a suitable protection type (for example IP54) to IEC 60529 / EN 60529 to protect it from mechanical or electrical damage. If the device is used in dusty environment, it must be installed in a suitable housing (at least IP64) to EN 61241. Access to the circuits inside the device is not permitted during operation. The equipment cannot be repaired by the user and must be replaced by an equivalent device. Repair work may only be carried out by the device manufacturer. The device conducts function self-diagnostics continuously during operation. A warning or error may be signaled depending on the level of discrepancy between actual and nominal value. Only use power supplies with safe isolation using PELV voltage to EN 50178 / VDE 0160 (PELV). This prevents a short-circuit between the primary and secondary sides.

4 Product table

Type	Pack Size	Weight kg/100	Part No.
OMUS®30Compact			
Electronic hybrid switch IEC, 3-pole, complete with busbar adapter, control and load plug and fuse links 32A gG, 10 x 38	1	45.2	36 152
Electronic hybrid switch UL and IEC, 3-pole, complete with busbar adapter, control and load plug and fuse links Class CC 30A time delay	1	45.2	36 157
OMUS®60Classic			
Electronic hybrid switch IEC, 3-pole, complete with busbar adapter, control and load plug and fuse links 32A gG, 10 x 38	1	45.8	36 153
Electronic hybrid switch UL and IEC, 3-pole, complete with busbar adapter, control and load plug and fuse links Class CC 30A time delay	1	45.8	36 158
OMUS®CrossBoard			
Electronic hybrid switch IEC, 3-pole, complete with control and load plug and fuse links 32A gG, 10 x 38	1	35.7	36 154
Electronic hybrid switch UL and IEC, 3-pole, control and load plug and fuse links Class CC 30A time delay	1	35.7	36 159
Spare components			
Busbar adapter 30Compact	1	7.2	36 155
Busbar adapter 60Classic	1	7.8	36 156
Load plug, 3-pole, spring terminals	1	1.5	36 916
Load plug, 3-pole, screw terminals	1	1.5	36 918
Control plug, 12-pole, spring terminals 0.2 – 1.5mm ²	1	0.8	36 917
Fuse 32A gG, 10 x 38	10	0.6	31 189
Fuse Class CC, 30A, UL listed	10	0.8	31 252

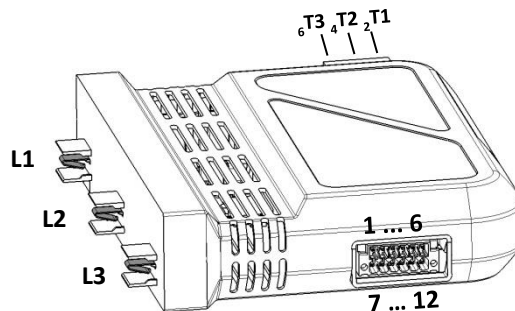
5 Commissioning

Refer to the safety instructions and area of use.

5.1 Connections

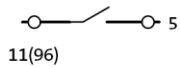
Terminal assignment control cable

Connection	Designation	Function
1	U _i +24V DC	+24 V DC design control supply voltage
2	PE	Functional ground
3	E L2	Control input for L2
4	E (L1 + L2 + L3)	Control input for L1 + L2 + L3
5	Warning	Warning message output
6	(95) error	Error message output („on“)
7	U _i mass	Ground control supply voltage
8	E L1	Control input for L1
9	E L3	Control input for L3
10	Mass inputs	Ground control inputs L1 + L2 + L3
11	(96) Warning + Error	Voltage input for message outputs
12	(97) error	Error message output („off“)

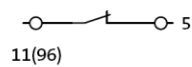


Signal relay:

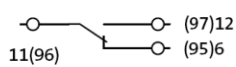
1) Warning off



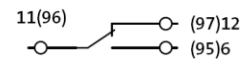
2) Warning on



3) Error on



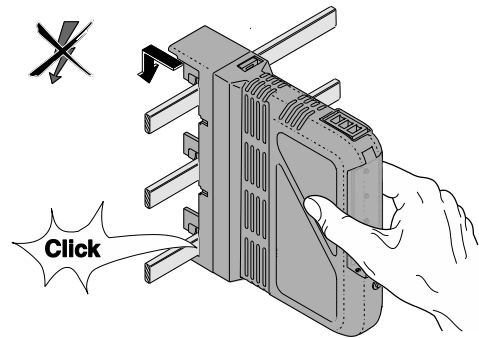
4) Error off



5.2 Installing and connecting the main circuits

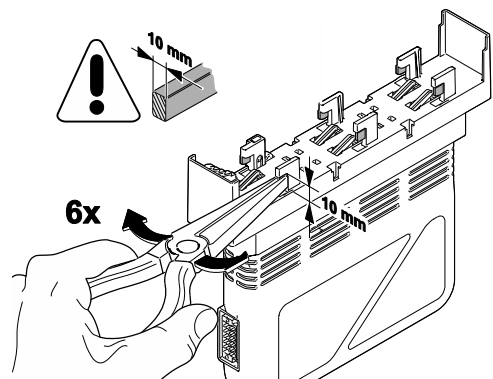
Mounting on the busbar system:

Lock the complete module including the busbar adapter to the rails. The electrical connection to the three-phase conductors is made through the adapter.



If necessary, adjust the busbar adapter's feet for 10mm busbars beforehand.

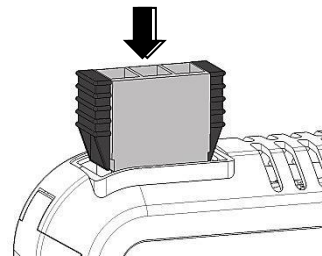
CAUTION: Never carry out work when the voltage is connected! Danger to life!



Connection plug:

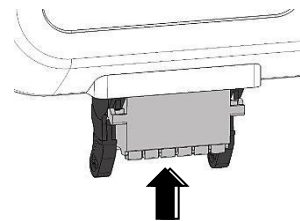
Load plug:

Connect the load side conductors to the load plug and lock it into the device.



Control plug:

Connect signal and control cables to the control plug and lock it into the device.



Applying the operating voltage:

- Apply 24V DC operating voltage to the OMUS®!
- Apply voltage to the busbar system!

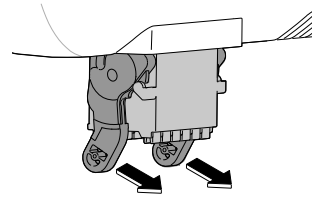
5.3 Meaning of the LED indicators

- Auto(matic) mode: LEDs permanently green (compare chapter 6.2 *Overview of display functions*)
- Warning: LEDs orange
- Error: LEDs red + OMUS® switched off

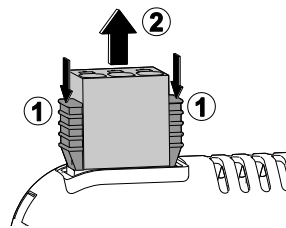
5.4 Disassembly and replacing devices

Disconnect power to the busbar system, obey safety instructions!

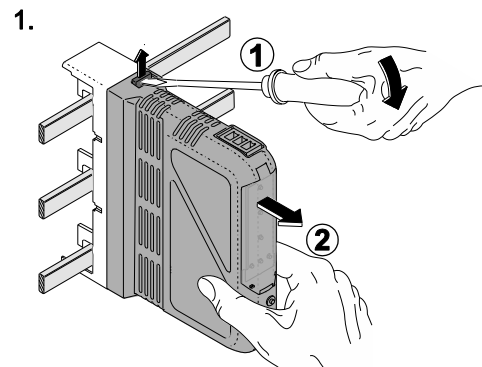
Remove the control plug:



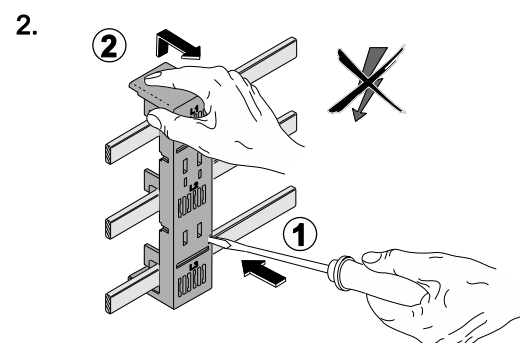
Remove the load plug



Remove the OMUS® from the adapter



Remove the busbar adapter from the system:

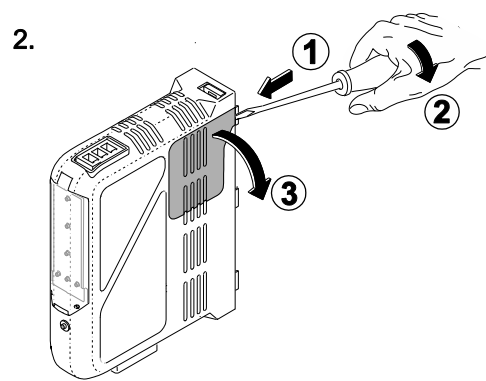
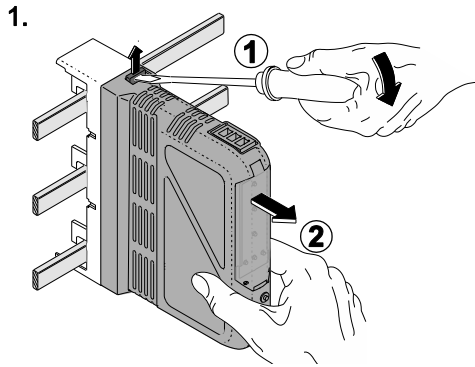


5.5 Replacing a fuse

Disconnect power to the busbar system, obey safety instructions!

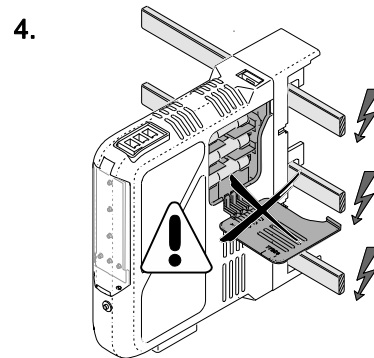
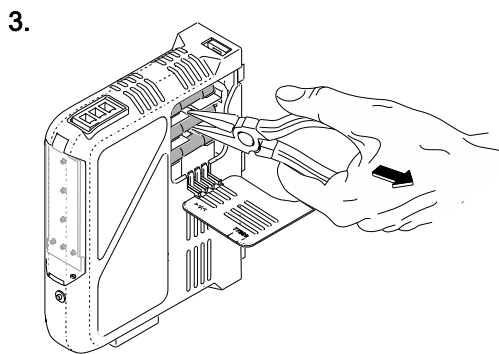
Remove the OMUS® from the adapter:

Open fuse cover:



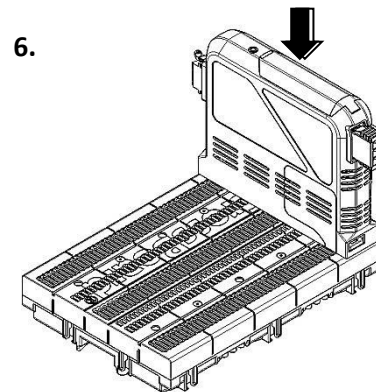
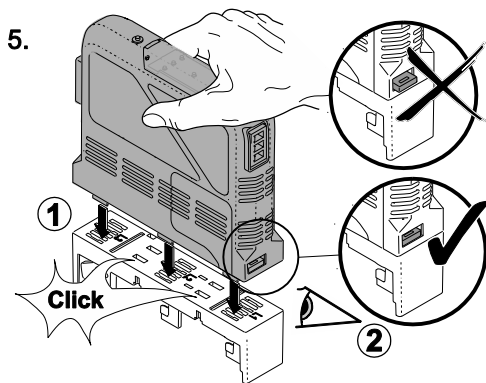
Exchange fuse:

Do not exchange the fuse before dismantling!



Snap the OMUS® onto the adapter:

Snap the OMUS® onto the CrossBoard®:



Pay attention to the right position of the lock slide (compare assembly stage 5) and the reverse polarity protection!

5.6 Checklist

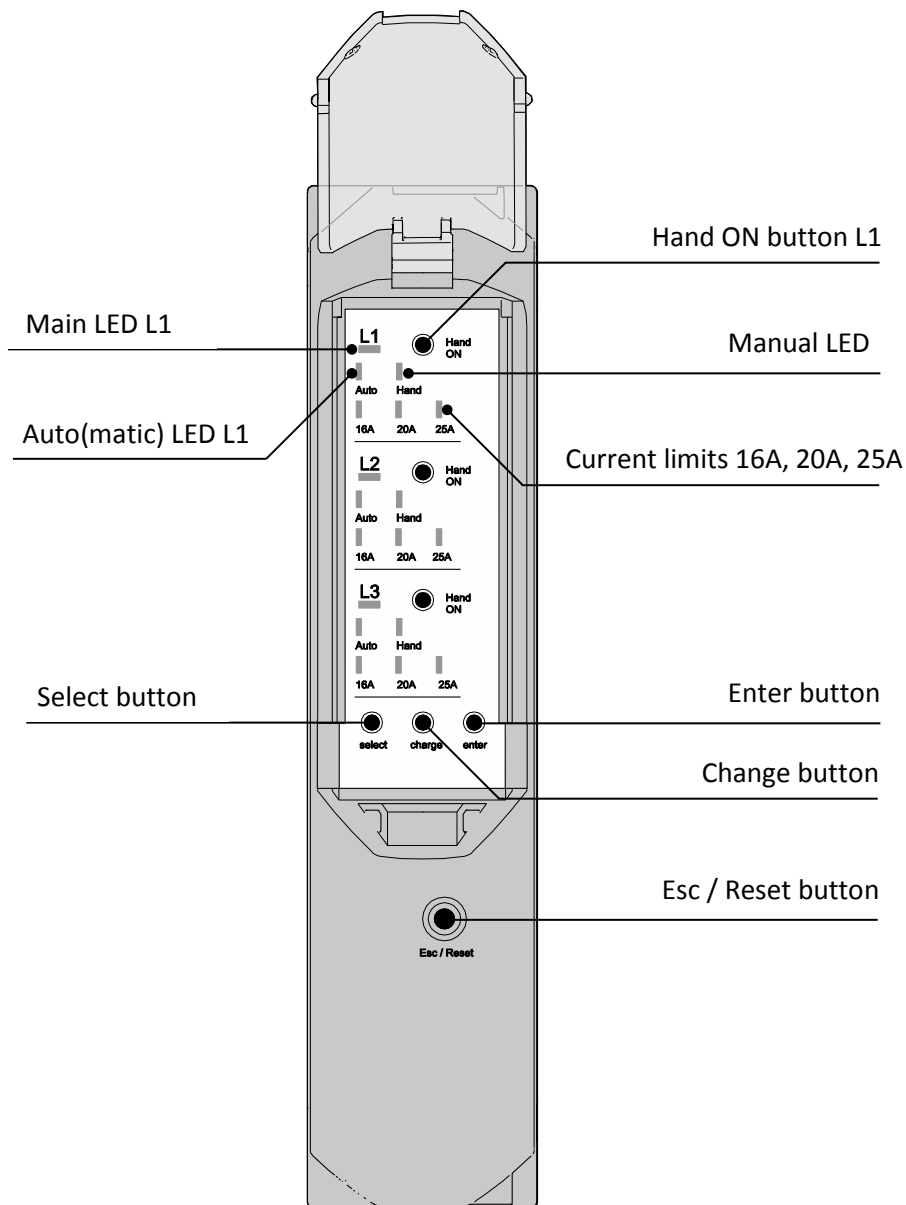
Work through the following checklist at the end of commissioning and check all corresponding points to guarantee the safe operation of the device.

Parameter	Description	Status
Fuse	Fuses in place and functional	<input type="checkbox"/>
Busbar adapter	Correct locking with the system	<input type="checkbox"/>
Load plug	Correct locking and cabling of the load plug	<input type="checkbox"/>
Control plug	Correct locking and cabling of the control plug	<input type="checkbox"/>
Control voltage	Operating voltage applied, power supply adequately designed	<input type="checkbox"/>
Functional ground	PE is connected to input 2 of the control plug	<input type="checkbox"/>
Voltage load	Supply voltage is applied	<input type="checkbox"/>
Switching variant	Suitable application (compare chapter 6.4)	<input type="checkbox"/>
LED status	Main LED and parameter LEDs show permanent green light	<input type="checkbox"/>
Warning	Warning signal relay wired and inactive	<input type="checkbox"/>
Error	Error signal relay wired and inactive	<input type="checkbox"/>
Actuation	Actuation within the prescribed parameters	<input type="checkbox"/>
Operating mode	<i>Auto(matic)</i> for using the control inputs or <i>Hand (manual mode)</i>	<input type="checkbox"/>
Current limit	Current limits set according to outlet cable	<input type="checkbox"/>
Min. load current	The load current is at least 2A in rated operation	<input type="checkbox"/>

6 User interface

6.1 Front view

- Normal operation: LEDs permanently green (compare chapter 6.2 *Overview of display functions*)
- Warning: LEDs orange
- Error: LEDs red + OMUS® switched off



6.2 Overview of display functions

The detailed description of the different operation modes is shown in chapter 8.

Auto(matic) mode (main LED: green)

Status	Main LED	Auto LED	Manual LED	Current limits	Warning	Error	Load
Factory setting	Green	Green	Off	Green (16A)	Off ₁₎	Off ₄₎	Switched
Auto(matic) mode 16A	Green	Green	Off	Green (16A)	Off ₁₎	Off ₄₎	Switched
Auto(matic) mode 20A	Green	Green	Off	Green (20A)	Off ₁₎	Off ₄₎	Switched
Auto(matic) mode 25A	Green	Green	Off	Green (25A)	Off ₁₎	Off ₄₎	Switched

Warnings (main LED: orange)

Status	Main LED	Auto LED	Manual LED	Current limits	Warning	Error	Load
Phase failure / fuse blown	affected orange	affected green		affected flash green	On ₂₎	Off ₄₎	Switched
Load failure (current <2A)	affected flash orange	affected green		affected off	On ₂₎	Off ₄₎	Switched
Current limit reached	affected flash orange	affected green		affected flash green	On ₂₎	Off ₄₎	Switched
Temperature limit (approx. 65 °C)	flash orange	affected green		affected green	On ₂₎	Off ₄₎	Switched

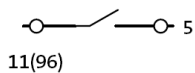
Errors (main LED: red)

Acknowledge by pressing ESC/Reset button or disconnecting the 24 V supply

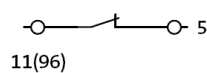
Status	Main LED	Auto LED	Manual LED	Current limits	Warning	Error	Load
No 24V operating voltage	Off	Off	Off	Off	Off ₁₎	On ₃₎	Off
Overcurrent (approx. 15%)	affected flash red	affected green		affected flash green	Off ₁₎	On ₃₎	affected Off
Overtemperature (approx. 80 °C)	flash red	Off	Off	Off	Off ₁₎	On ₃₎	Off
Current without actuation, device potentially defective, external switch off required	affected flash red	Green	Red	affected flash green	Off ₁₎	On ₃₎	affected permanent on

Signal relay:

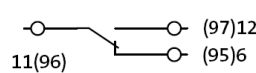
1) Warning off



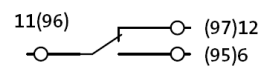
2) Warning on



3) Error on



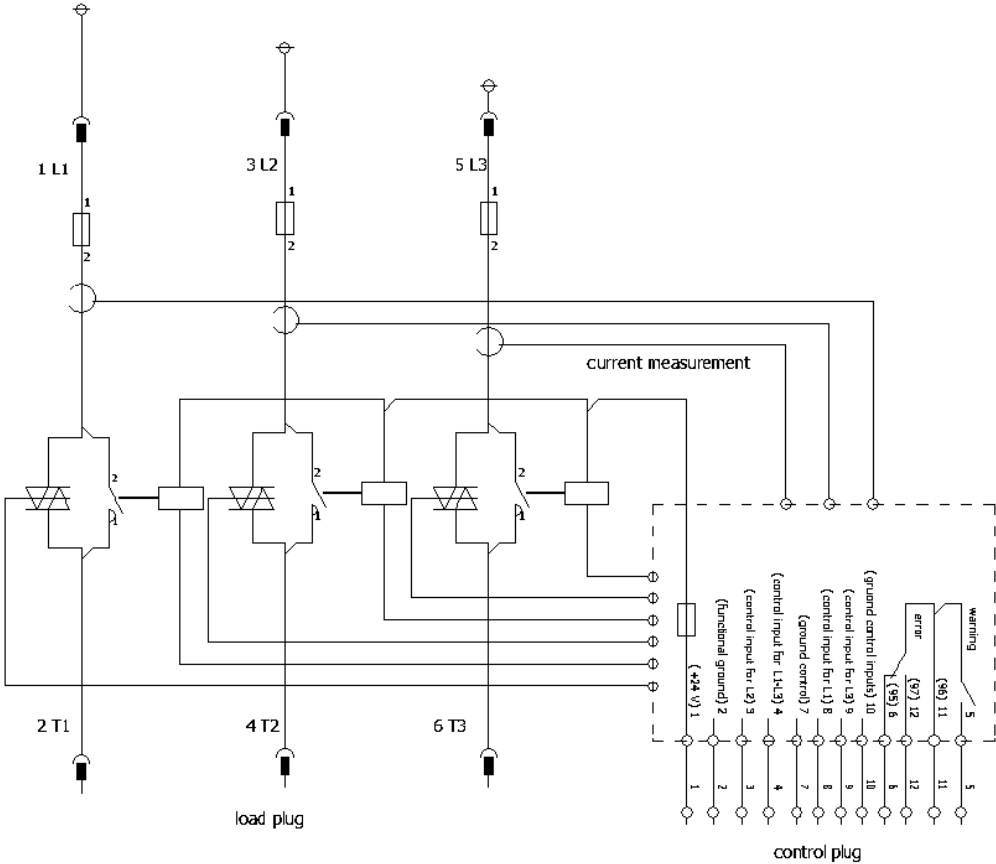
4) Error off



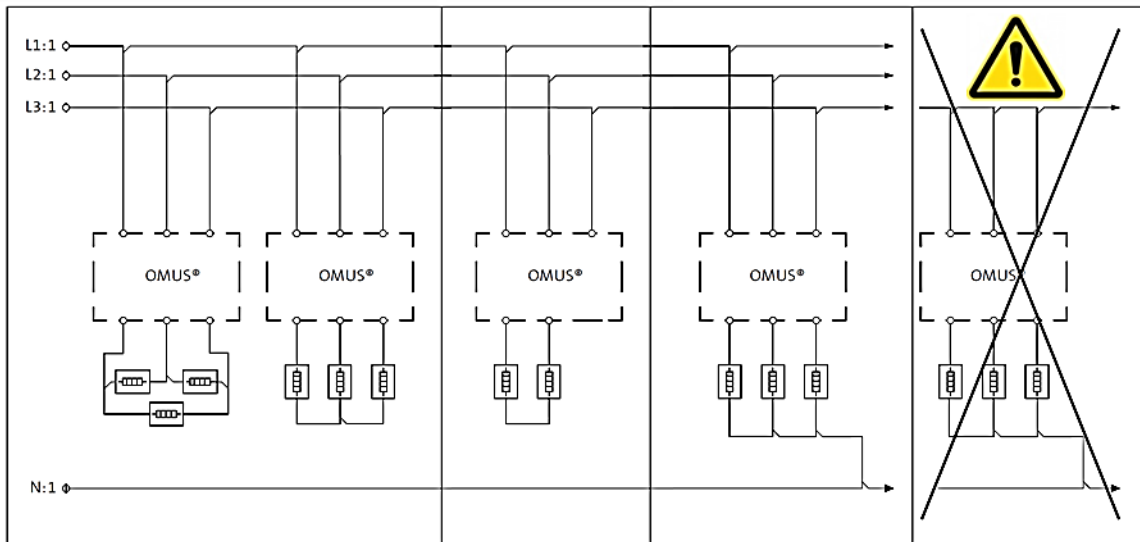
Manual mode (for commissioning)

Status	Main LED	Auto LED	Manual LED	Current limits	Warning	Error	Load
Manual mode 16A/20A/25A inactive	Green	Off	Green	Affected green	Off ₁₎	Off ₄₎	Off
Manual mode 16A/20A/25A active	Green	Off	Green	Affected green	Off ₁₎	Off ₄₎	Switched

6.3 Eplan symbol



6.4 Switching variants



For applications without a neutral conductor, the usage of the 3-phase input L1+L2+L3 (input 4 control plug) is mandatory!

For 2-pole usage without neutral conductor, the usage of the 3-phase input L1+L2+L3 (input 4 control plug) is mandatory! The third pole has to be in manual mode!

Usage of load against neutral conductor offers switching as required (individually or together).

Not suitable for operating in single-phase networks

7 Configuration of OMUS®

The settings menu allows the user to configure OMUS® in line with the application. The **setting of the current limits** at the levels 16A, 20A and 25A must be done by the user in accordance with the requirements and limits of the installation.

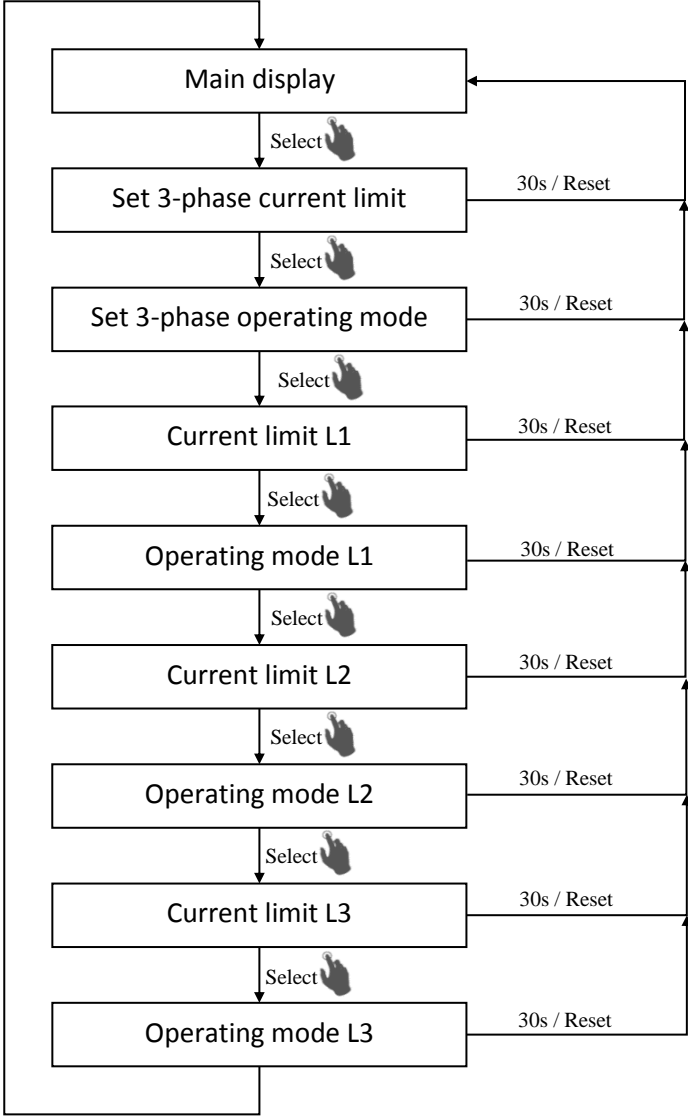
The first operating mode available is **auto(matic) mode**, which is controlled via 24V DC inputs (e.g. PLC). The second mode available is **manual mode** for commissioning, which is activated by the *Hand ON*-button. Each phase can be set to an individual configuration.

The **menu** is called up by **pressing** the **Select button** and pressing again switches to the next menu item. A continuous light displays the status set. The **Change button** in the selected menu item should be used to change the settings. Pressing it multiple times allows you to preselect all settings options for the present menu item. Selected settings flash green. Pressing the **Enter button applies the selected setting** and returns you to the menu. Settings not saved by pressing Enter will be lost.

You can leave the menu at any time by pressing the **Esc / Reset button**. The menu will also be closed after the last menu item or once approximately 30s pass with no action by the user. When leaving the menu all display LEDs will flash several times. The set parameters, confirmed with Enter, will be applied and the outputs will be switched back to active. All settings are saved on the device permanently. The settings are retained even if the 24 V operating voltage is switched off.

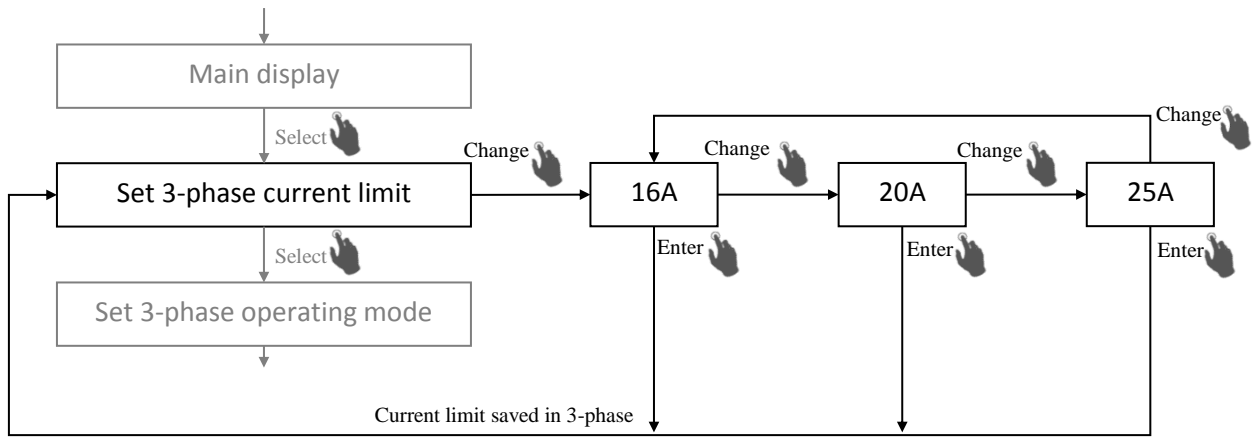
7.1 Menu structure

The menu structure is visualized in the following diagram. The following pages visually describe the settings for single phase or all three phases.

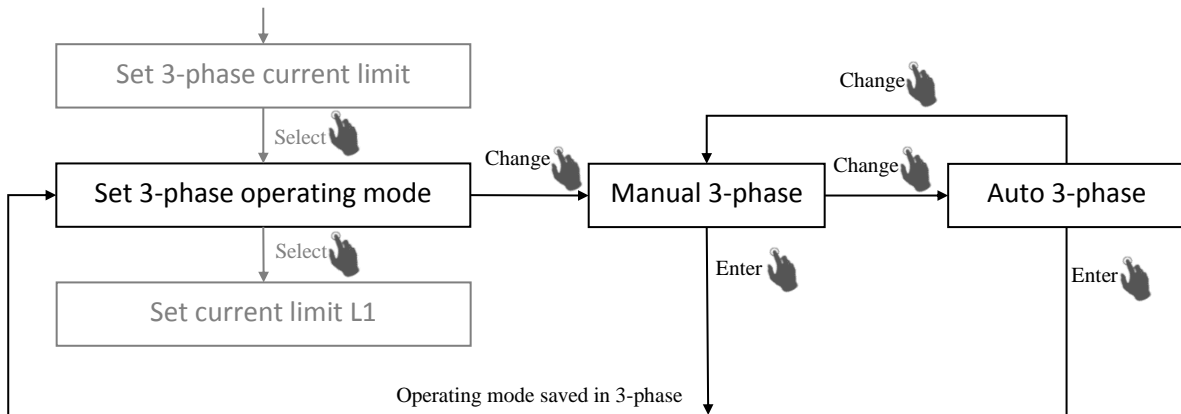


7.2 Three-phase settings

The three-phase setting of the current limits is pictured as follows:

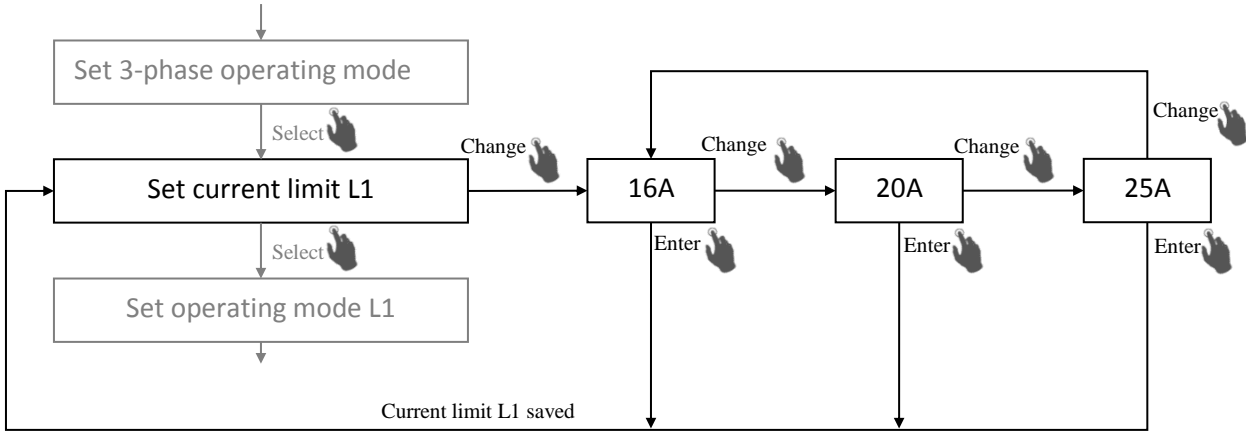


The three-phase setting of the operating mode is pictured as follows:

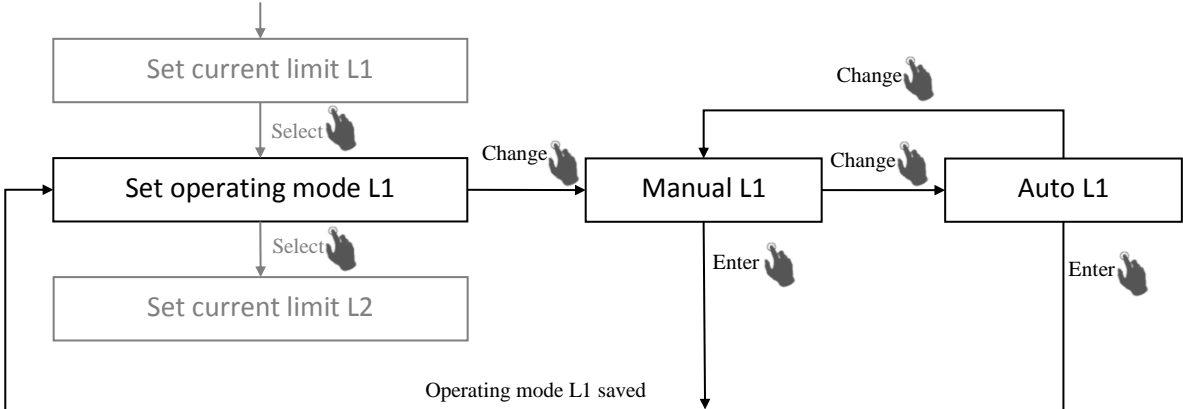


7.3 Single-phase settings

The single-phase setting of a current limit is pictured as follows:



The single-phase setting of an operating mode is pictured as follows:



The additional phase settings are carried out in the same way.

7.4 Restoring to factory settings

On delivery all phases are set to auto(matic) mode and the current limits to 16A. If you want OMUS® to be **reset to the delivery status**, press **Select and Enter button simultaneously**. This simultaneous pressing of the buttons will cause all LEDs to be illuminated and display the successful restoration of the delivery status by flashing multiple times. All settings will be overwritten and the **factory status will configure OMUS® to three-phase in auto(matic) mode with a current limit of 16A**.

7.5 Standby

The device can be **put in a Standby mode** which will **deactivate the outputs**. To do this, **press and hold the Esc/Reset button for approx. 8s. All the outputs will be shut down**. All manual LEDs will flash orange, all other LEDs are off. The warning relay will issue a signal. All settings are retained in Standby mode and no menu options are available. You can **leave the Standby mode** again by pressing the **Reset button for approx. 4s**. The device cannot be put in Standby mode, if there is an error.

8 Function description

The device has various operating states:

- auto(matic) mode
- manual mode
- settings menu
- warning and error states
- standby mode

Warnings are issued during running operation. Errors turn the load off. The factory settings can be restored by pressing the "select" + "enter" buttons simultaneously.

8.1 Auto(matic) mode

The device is in auto(matic) mode when it is used properly and there are no warnings or errors. All main LEDs are permanently illuminated green as are the selected settings. In auto(matic) mode, the outputs are actuated according to the input signals. **The present switching status is not displayed!** The various operating parameters are continuously monitored. You can switch to the settings menu from auto(matic) mode anytime.

Auto(matic) mode (main LED: green)

Status	Main LED	Auto LED	Manual LED	Current limits	Warning	Error	Load
Factory setting	Green	Green	Off	green (16A)	Off ₁₎	Off ₄₎	Switched
Auto(matic) mode 16A	Green	Green	Off	green (16A)	Off ₁₎	Off ₄₎	Switched
Auto(matic) mode 20A	Green	Green	Off	green (20A)	Off ₁₎	Off ₄₎	Switched
Auto(matic) mode 25A	Green	Green	Off	green (25A)	Off ₁₎	Off ₄₎	Switched

8.2 Settings menu

The normal working functions are deactivated in the settings menu. The load is turned off.

8.3 Manual mode

If manual mode is activated via the settings menu, the "Hand ON" buttons switch on the relevant phase. The "Hand ON" keys can be pressed simultaneously. In manual mode, warnings and errors are treated in the same way as in auto(matic) mode. You can switch to the settings menu from manual mode anytime.

8.4 Warning

The following statuses will lead to a warning:

- **Phase failure / Blown fuse**
- **Load failure**
- **Minor overcurrent** - current limit reached
- **Minor overtemperature** - temperature warning above 65 °C

PLC integration of warnings and avoidance of false alarms:

Warnings below 500ms should not be evaluated.

Signals below should be rejected.

Warnings (main LED: orange)

Status	Main LED	Auto LED	Manual LED	Current limits	Warning	Error	Load
Phase failure / blown fuse	affected orange	affected green		affected flash green	On ²⁾	Off ⁴⁾	Switched
Load failure (current <2A)	affected flash orange	affected green		affected off	On ²⁾	Off ⁴⁾	Switched
Minor overcurrent (<15%)	affected flash orange	affected green		affected flash green	On ²⁾	Off ⁴⁾	Switched
Minor overtemperature (approx. 65°C)	Flash orange	affected green		affected green	On ²⁾	Off ⁴⁾	Switched

Phase failure / blown fuse

During operation OMUS® monitors the voltage on the busbar. If the measured voltage drops below 42V AC, a phase failure is detected. The affected main LED will flash orange and the set current limit LED will flash green. The warning relay issues a signal. The warning itself will be cleared once the cause of the phase failure has been resolved.

Load failure

If the measured load current drops below 2 A, this is detected as a load failure. The main LEDs for the affected phase will flash orange and the set current limit LED will turn off. The warning relay will issue a signal. The warning itself will be cleared once the cause of the undercurrent has been resolved. Ongoing operation will not be stopped.

Minor overcurrent

If the measured load current reaches the set current limit, this is detected as a warning. The main LED for the affected phase will flash orange and the set current limit LED will flash green. The warning relay will issue a signal. The warning itself will be cleared once the cause of the overcurrent has been resolved. Ongoing operation will not be stopped.

Minor overtemperature

If the temperature inside the hybrid switch exceeds 65°C, a warning is indicated. Main LEDs will flash orange. The warning relay will issue a signal. The warning itself will be cleared once OMUS® cools down. Ongoing operation will not be stopped.

8.5 Error

The Following parameters, monitored by OMUS® during operation, can lead to errors:

- **No 24V control voltage**
- **Major Overcurrent**- current limit exceeded by approx. 15%
- **Major Overtemperature** - temperature error above 80 °C
- **Irregular current flow**

PLC integration of errors and avoidance of false alarms:

Errors below 500ms should not be evaluated.

Signals below should be rejected.

Errors (main LED: red)

Acknowledge by pressing ESC/Reset button or disconnecting the 24 V supply

Status	Main LED	Auto LED	Manual LED	Current limits	Warning	Error	Load
No 24V control supply voltage	Off	Off	Off	Off	Off ¹⁾	On ³⁾	Off
Major Overcurrent (>15%)	affected flash red	Affected Green		affected flash green	Off ¹⁾	On ³⁾	affected Off
Major Overtemperature (approx. 80°C)	flash red	Off	Off	Off	Off ¹⁾	On ³⁾	Off
Current without actuation, device potentially defective, external switch off required	affected flash red	Green	Red	affected flash green	Off ¹⁾	On ³⁾	affected switched

No 24V control voltage

If there is no 24V control supply voltage at OMUS® (input 1 or 7 at control plug), the error relay will issue a signal.

Major Overcurrent

If the measured load current exceeds the set current limit by more than 15%, the affected load is shut down. In the affected phase, the main LED turns red and the set current limit LED will flash green. The error relay continuously issues a signal. After the cause of the overcurrent has been resolved, the error message must be acknowledged (press Esc/Reset) to resume operation again.

Major Overtemperature

If the internal temperature of the hybrid switch exceeds 80°C, an error is indicated. All main LEDs will flash red. The error relay continuously issues signal. All outputs are shut down for self-protection. After cooldown, the error message must be acknowledged (press Esc/Reset button) to resume operation again.

Irregular current flow

If the electronics detect an irregular current flow to the load, it assumes a defect in the hybrid switch. In the affected phase, the main LED turns red and the set current limit LED will flash green. The error relay will continuously issue a signal. The load must be switched off by an external switchgear in order to interrupt the current flow. If the error continues after acknowledgement (press Esc/Reset), the hybrid switch must be replaced.

8.6 Acknowledgement of messages

If the cause of a warning has been resolved, the warning itself will be cleared. Error messages have to be acknowledged by pressing Esc/Reset. The cause of an error must be resolved first in this instance. The acknowledgement of an error by interrupting the 24 V operating voltage may only take place 500ms after switching off the load.

8.7 Interruption

If the 24V operating voltage is interrupted, the loads are shut down. All LEDs are off and the error relay will issue a signal. **The operational switching by disconnecting the 24 V operating voltage is not allowed! Non-observance will lead to higher wear of the hybrid switch.**

9 Technical data

Ambient conditions	
Ambient temperature	-5°C to 35°C in control cabinet; for temperatures up to 55°C or group layout see derating
Pollution degree	2, in the housing
Overvoltage category	II, Load level
Main circuits	
Switching principle	3 separate switches with bypass L1, L2, L3
Number of main circuits	3 independent circuits L1, L2 and L3 for resistive loads
Design operating voltage U_e to IEC60947-1	400V AC, 50Hz
Maximum power loss (relays permanently on)	20W
Setting continuous current limits	16A, 20A, 25A, warning when limits are reached
Overload protection	shutdown if exceeded by more than 15%
Design operating current I_e Utilisation category AC-51 to IEC 60947-4-3	25A 3× single-phase, 25A 1× three-phase
Minimum load current $I_{nc\ min}$	2A
Coordination type 1, system protection	30kA, 400V
IP protection type	IP20
Control circuit and main circuits isolation	U_{imp} 2.5kV
Isolation function EN60947-1 2.1.19	no position indicator for main contacts, device has no isolation function
Leakage current (input, output) separate	Less than 2mA (no electrical isolation)
Residual voltage during switching	1,2V max. 10ms
Temperature protection in the device	65°C warning, 80°C shutdown
Input protection circuits	Fuses IEC: 3× 10×38, 32A gG, 400V UL: 3× Class CC 30A, 600V varistors 510V
UL approval	
File E483362 Vol.1 Sec. 1	Type No. OM25-H cULus listed
Current / Voltage ratings	20A 3x single-phase, 20A 1x 3-phase 480VAC
Minimum load current $I_{nc\ min}$	2A
Short Circuit Current Rating SCCR to UL 508a	30kA, 480V with Class CC 30A
Maximum surrounding air temperature	40°C
Maximum surface temperature	55°C
Pollution degree	2
Maximum busbar temperature	110°C

Timing			
Max. switching frequency	1Hz		
Min. duration of actuation ports	100 ms		
Min. switch on duration of load	100 ms		
Min. switch off duration of load	100 ms		
Max. switch on delay	80ms		
Max. switch off delay	80ms		
Control circuits			
Design control supply voltage U_s to IEC 60947-1 UL 508	24V DC 26.5V DC		
Control supply voltage, noise level "Safe off"	< 5V DC		
Design control supply current to IEC 60947-1	≤ 150mA		
Control input L1, L2, L3, L1+L2+L3 Switching level "Low" Switching level "Safe off" Switching level "High" Input current	– 3 to 9.6 V DC < 5V DC 19.2V – 30V DC ≤ 3mA		
Check-back output			
Warning message	Floating contact, 1 normally open contact		
Max. switching voltage	24V AC/DC		
Max. continuous load current I_o	0.5A		
Error signal	Floating contact, 1 changeover contact		
Max. switching voltage	48V AC/DC		
Max. continuous load current I_o	1A		
Front controls			
Buttons Select, Change, Enter	Parameter setting		
Manual button ON	Outputs switched on in manual mode		
Main and Auto LED	Green = OK; Orange = Warning; Red = Error		
Current limit LED	Continuous current limit value 16A, 20A, 25A		
Esc / Reset button outside the hinged control panel	Acknowledgement of errors		
Drilled hinged cover	enables sealing		
Connection cross-sections			
Connection	Conductor type	IEC:	UL
3-pin plug connector with spring terminals	Cu rm, f	1.5 – 6mm ²	AWG16 – AWG8
3-pin plug connector with screw terminals	Cu rm, f	1.5 – 6mm ² , 0.5–0.8Nm	AWG16 – AWG8 7lb-in
12-pin control plug with spring terminals	Cu f	0.2 – 1.5mm ²	AWG24 – AWG16

Derating relative to 25A continuous current through busbar system according to IEC 61439-2

Installation ambient temperature up to	35°C	45°C	55°C
Single installation/Gap ≥ 36mm	RDF = 1.0	RDF = 0.9	RDF = 0.8
Layout with gap ≥ 9mm	RDF = 0.9	RDF = 0.8	RDF = 0.7
Side-by-side layout, gap 0mm (4 devices)	RDF = 0.8	RDF = 0.7	RDF = 0.6
Measurement with fuses 32A gG, load plug with screw terminals, busbar temperature 70°C			

Derating relative to 25A continuous current through CrossBoard® according to IEC 61439-2

Installation ambient temperature up to	35°C	45°C	55°C
Single installation/Gap ≥ 36mm	RDF = 1.0	RDF = 0.9	RDF = 0.8
Side-by-side layout, gap 0mm	RDF = 0.6	RDF = 0.54	RDF = 0.48
Measurement with CrossBoard® CB405, fuses 32A gG, load plug with screw terminals			



GHV Trading, spol. s r.o.
Edisonova 3, 612 00, Brno

Česká Republika
Tel.: +420 541 235 532-4
Tel.: +420 541 235 386
e-mail: ghv@ghvtrading.cz
<http://www.ghvtrading.cz>

Slovenská Republika
Tel.: +421 255 640 293
Tel.: +421 948 528 908
e-mail: ghv@ghvtrading.sk
<http://www.ghvtrading.sk>

