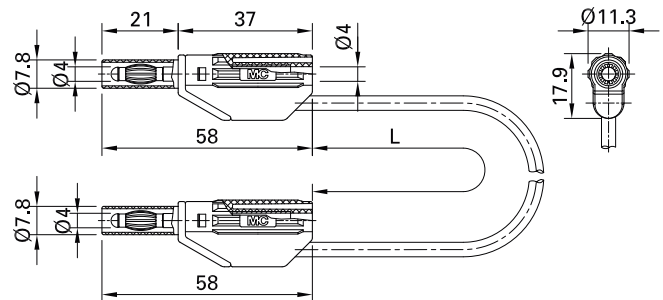


## Test lead XV...-44...

Highly flexible, with insulation in PVC or silicone with stackable Ø 4 mm MULTILAM plugs with rigid insulating sleeve on both ends.

### XV...-44...



Order No.	Type	Rated voltage/current	Lead		Lead lengths L [cm]	*Standard colors
66.9738-□*	XVF-446	600 V, CAT II / 19 A	PVC 1.0 mm <sup>2</sup>	Ni CE c UL US	050 100 200	21 22 23 24 25
66.9739-□*	XVS-446	600 V, CAT II / 19 A	SIL 1.0 mm <sup>2</sup>	Ni CE c UL US	100	21 22
66.9736-□*	XVF-448	600 V, CAT II / 32 A	PVC 2.5 mm <sup>2</sup>	Ni CE c UL US	030 050 060 100 150 200	21 22 24 25
66.9737-□*	XVS-448	600 V, CAT II / 32 A	SIL 2.5 mm <sup>2</sup>	Ni CE c UL US	050 100 200	21 22 23



Optional colors 20 23 24 25 26 27 29

Optional lengths on demand

Further information, page 6