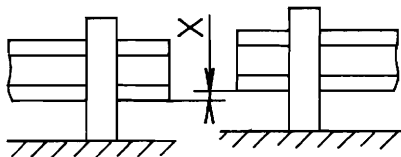
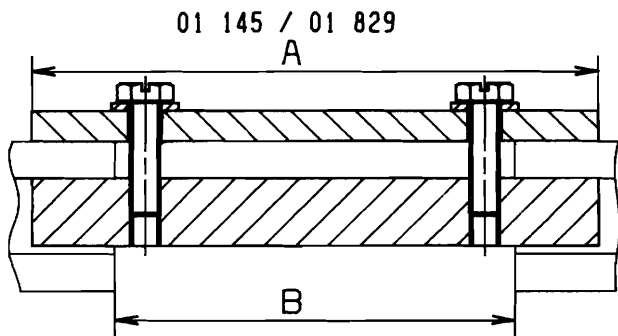
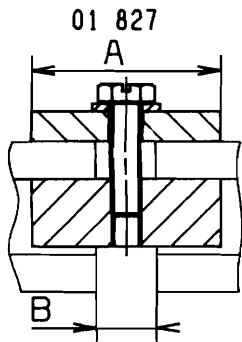
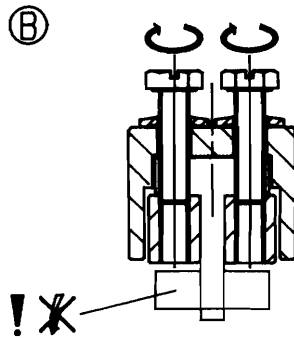
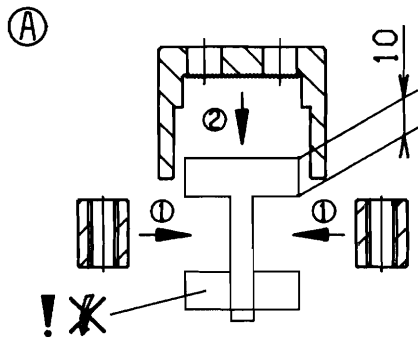


Montage - Assembling - Montage



	A	B	-Klemmschraube -clamping screw -vis a' borne	-Anzugsdrehmoment -tightening torque -couple de serrage	X
01 827	50	10-20	2 x M8	20 Nm / 180 lb. in.	< 2 mm
01 145	95	50-70	4 x M8	20 Nm / 180 lb. in.	< 2 mm
01 829	150	100-110	4 x M8	20 Nm / 180 lb. in.	< 5 mm