

CrossLink®185Power

Schienträger, Schienenlängsverbinder und Abdecksystem

busbar connection terminal, busbar support and covers

soporte para barras, unión de barras y cubiertas

Supports de barres, capotages et jonctions longitudinales d'éclissage

supporti barre, conn. longitudinali e coperture

母线架、母线加长连接夹和封闭系统



Achtung: Vor Installations- oder Servicearbeiten Stromversorgung unterbrechen, um Unfälle zu vermeiden. Die Geräte müssen in einem passenden Gehäuse eingebaut und gegen Verschmutzung geschützt werden. Inbetriebsetzung und Wartung nur durch Fachpersonal!

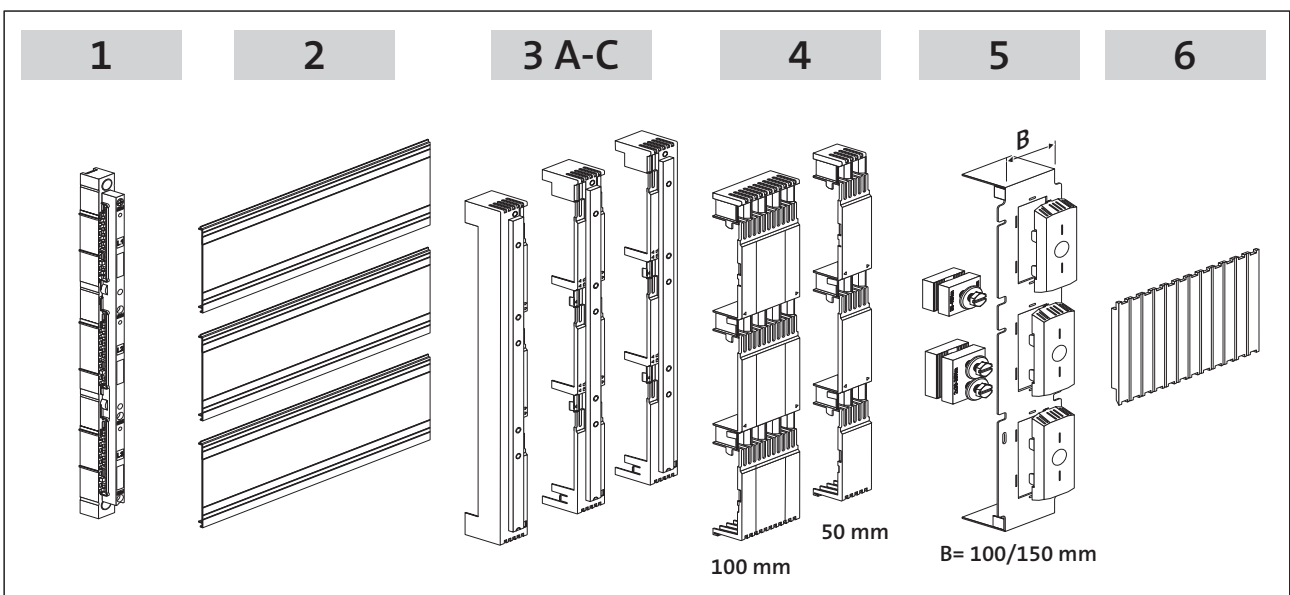
Attention: To prevent electrical shock, disconnect from power source before installing or servicing. Install in suitable enclosure. Keep free from contaminants. To be commissioned and maintained only by qualified personnel!

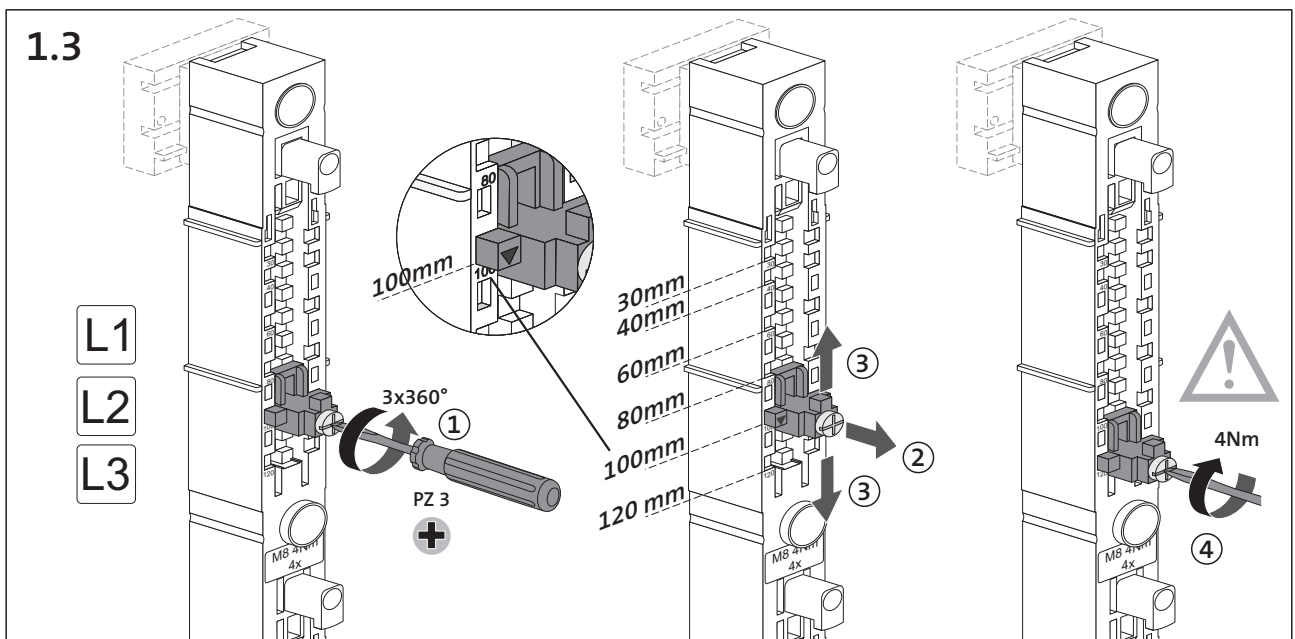
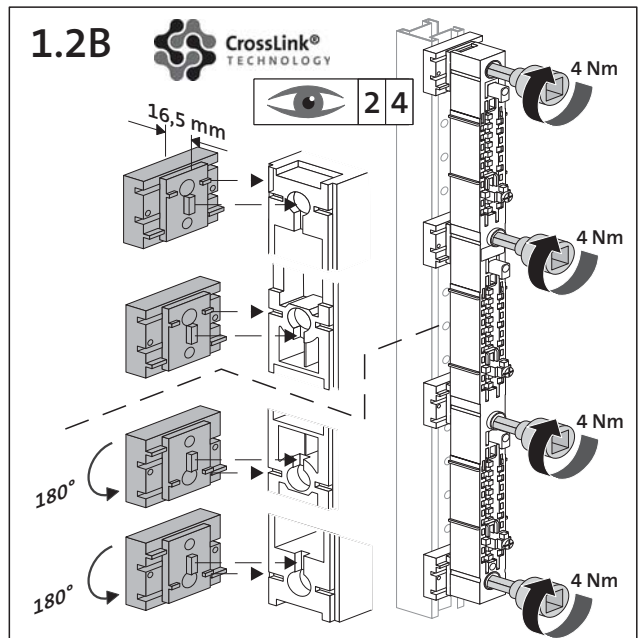
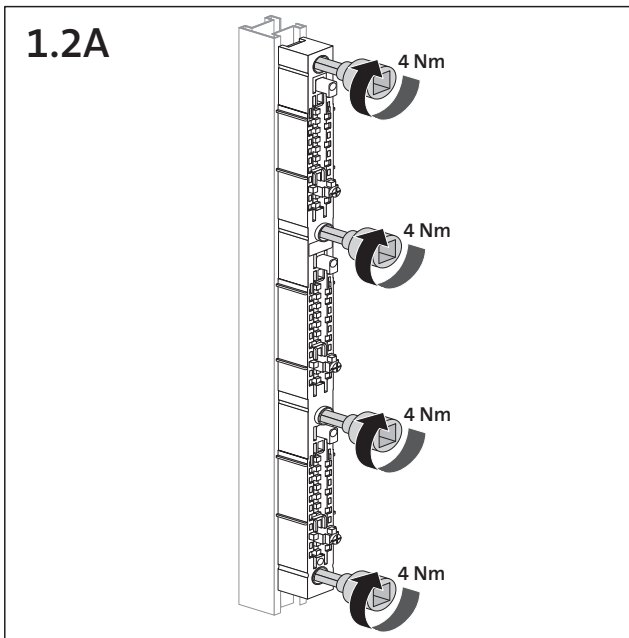
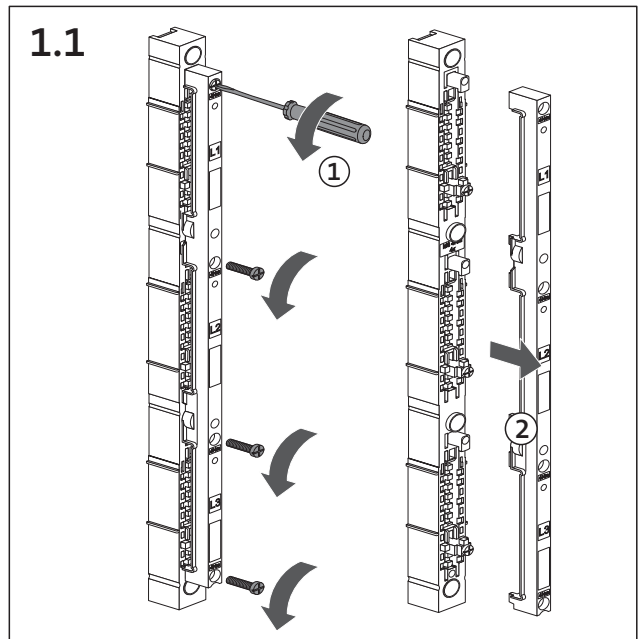
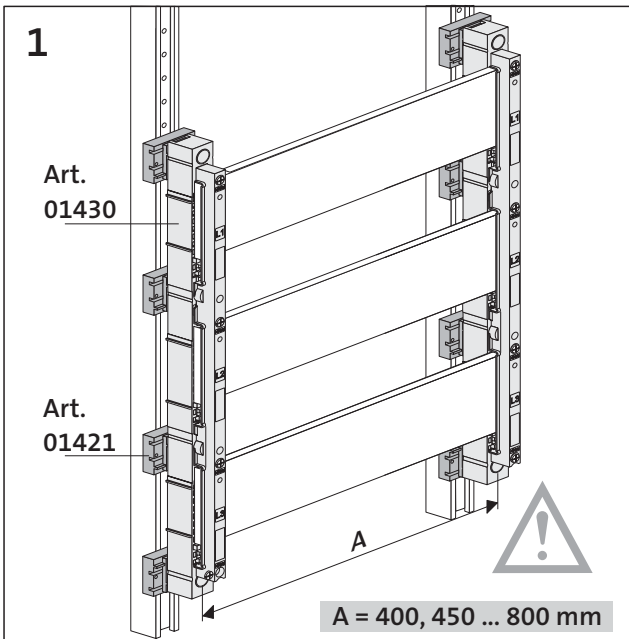
Atención: Con el objeto de evitar accidentes, hay que desconectar la alimentación eléctrica antes de realizar el montaje y la puesta en marcha. Debe instalarse en una caja o armario apropiado. Debe protegerse el producto de los ambientes agresivos. La puesta en marcha y el mantenimiento ha de hacerlo exclusivamente por personal especializado!

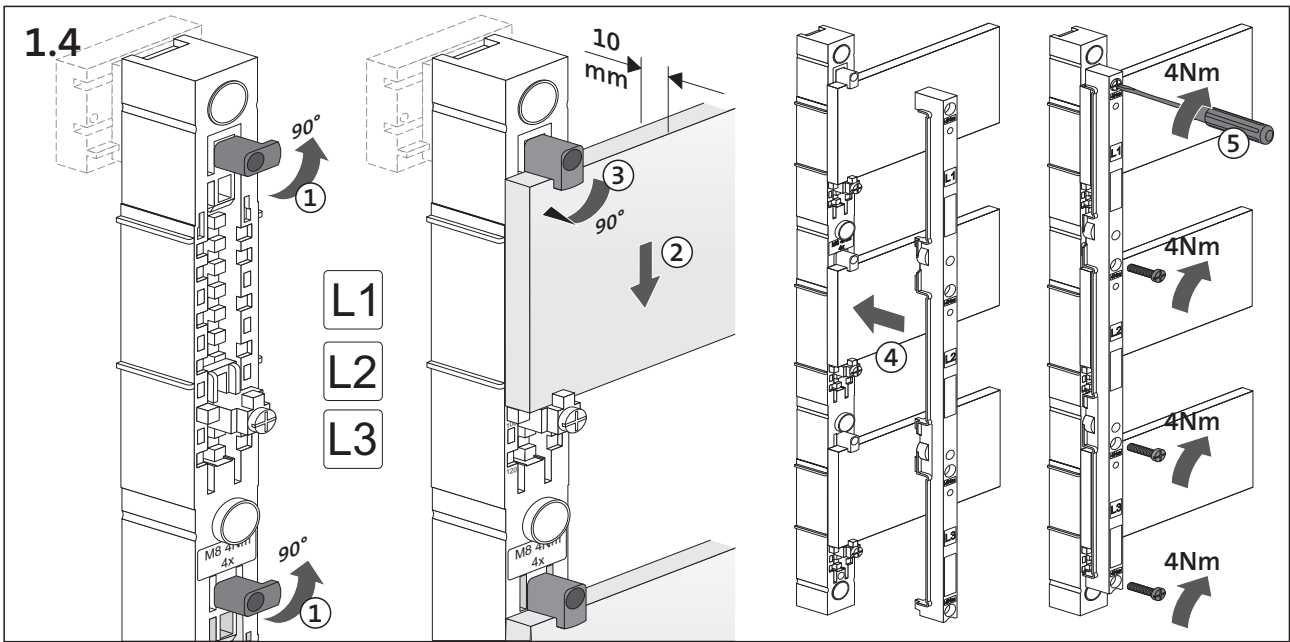
Attention: Avant le montage et la mise en service, couper l'alimentation secteur afin d'éviter tout accident. Prévoir une mise en coffret ou armoire appropriée, protéger le produit contre les environnements agressifs. Mise en service en entretien: seulement par du personnel spécialisé!

Attenzione: Per prevenire infortuni, togliere tensione prima dell'installazione o manutenzione. Installare in custodia idonea. Tenere lontano da contaminanti. Messa in servizio e manutenzione solo da personale specializzato!

注意: 安装前或检修前应切断电源，以防事故。开关应安装在适合的箱体，同时应做好防污染保护。只有专业人员才能做运行、维护、保养的工作。







2

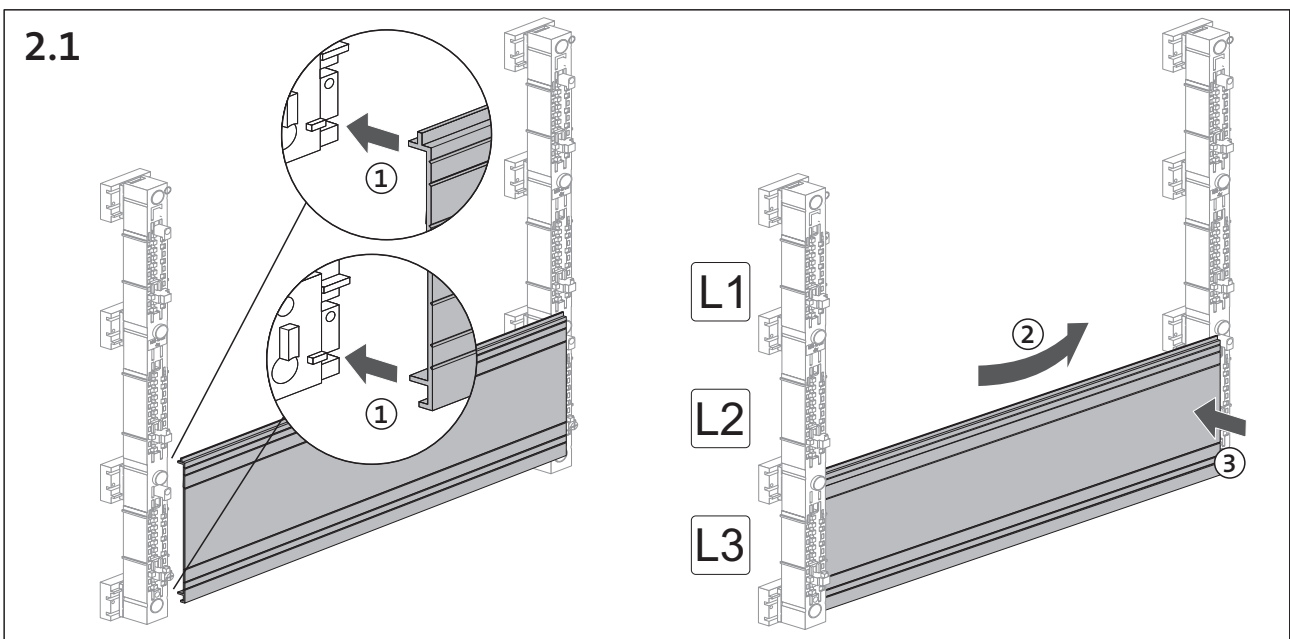
CrossLink®
TECHNOLOGY

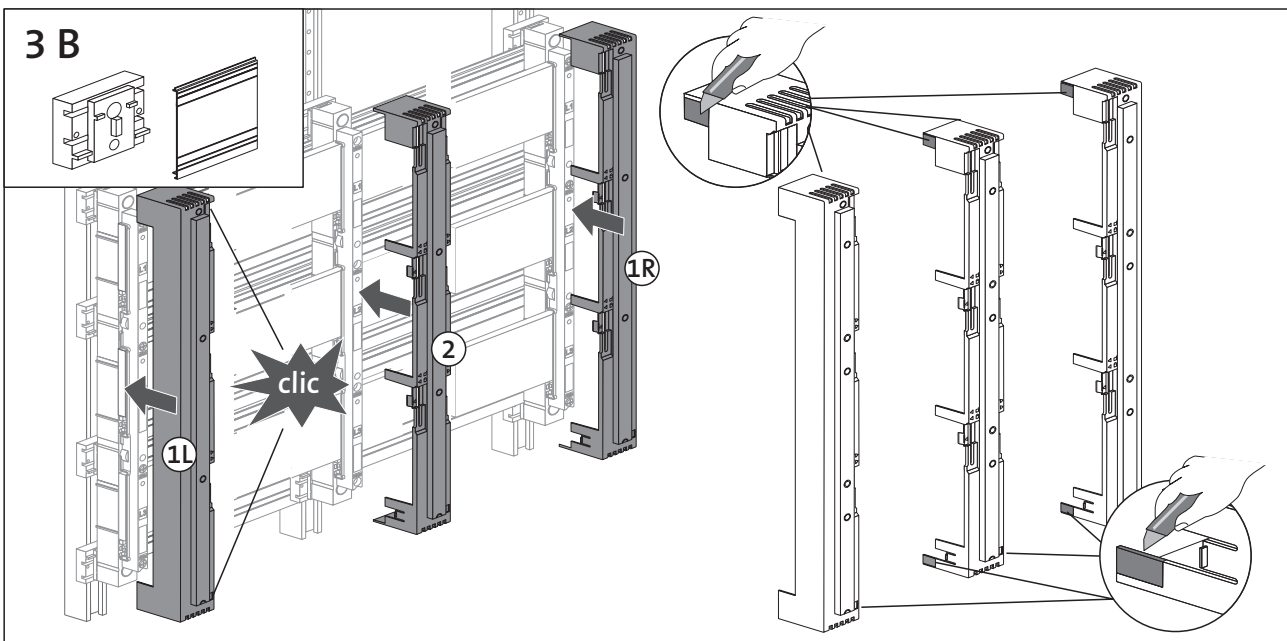
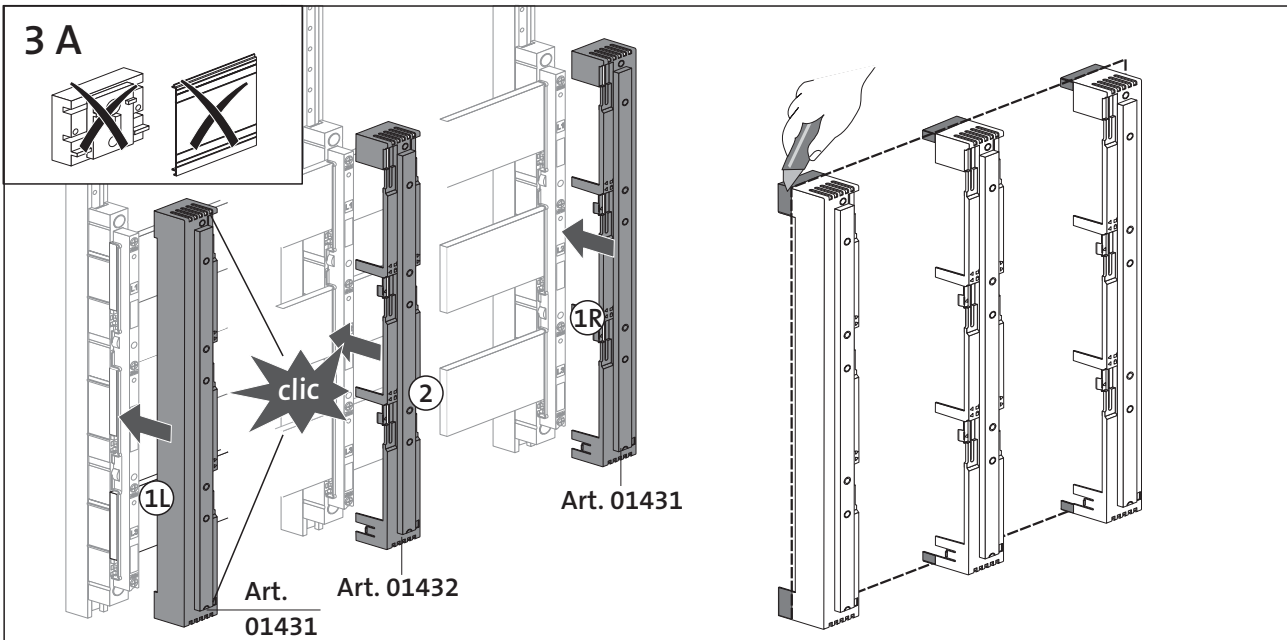
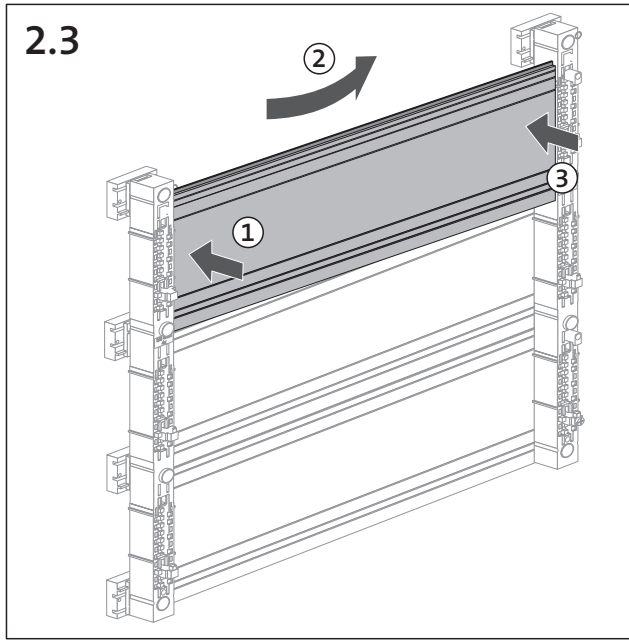
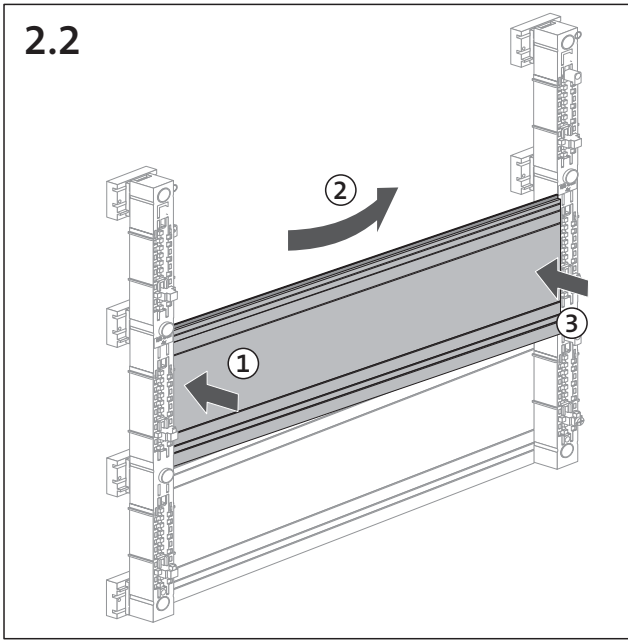
| Art. | L | A |
|-------|-------|-------|
| 01436 | 673mm | 700mm |
| 01420 | 523mm | 550mm |

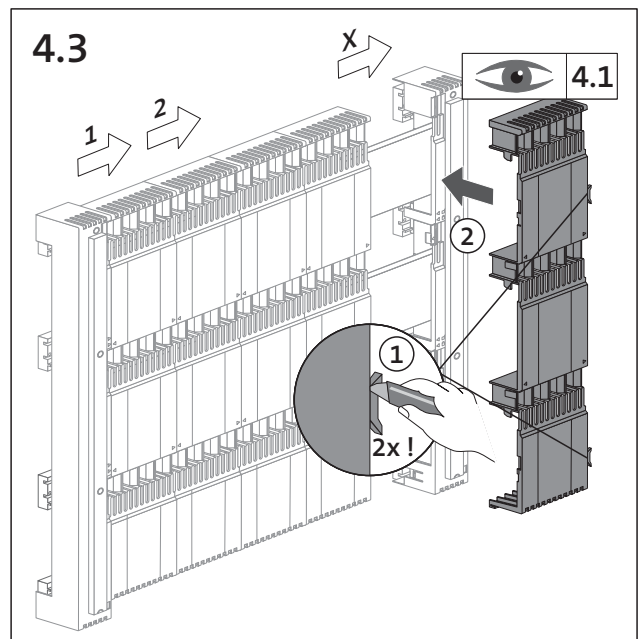
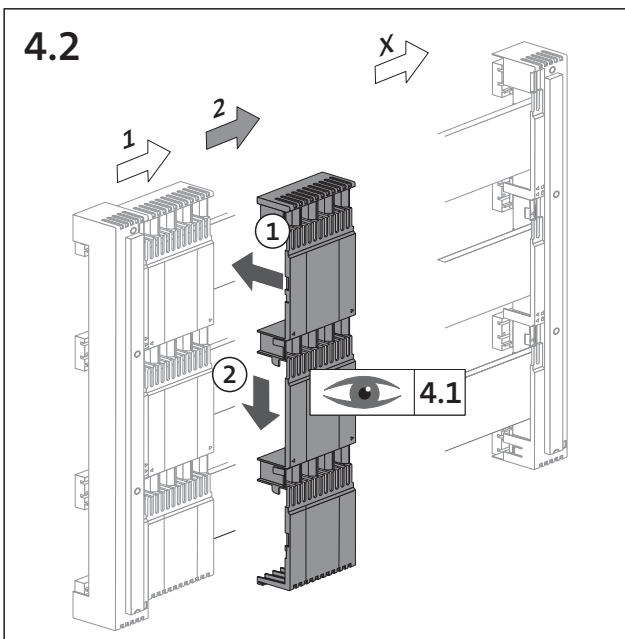
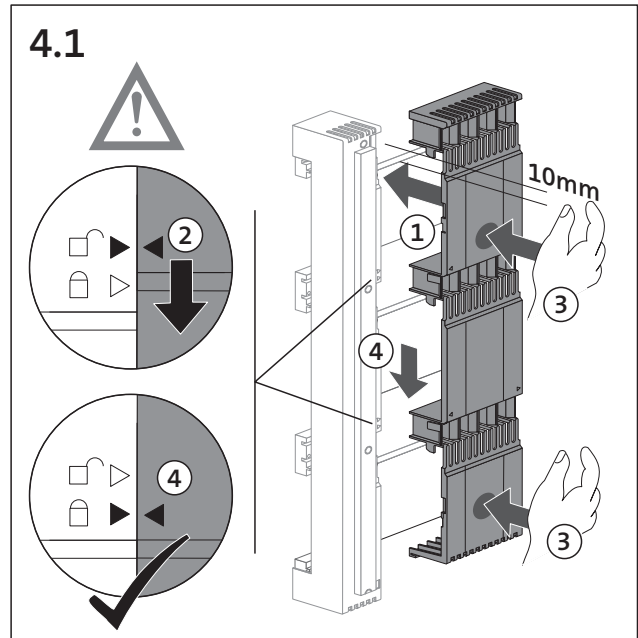
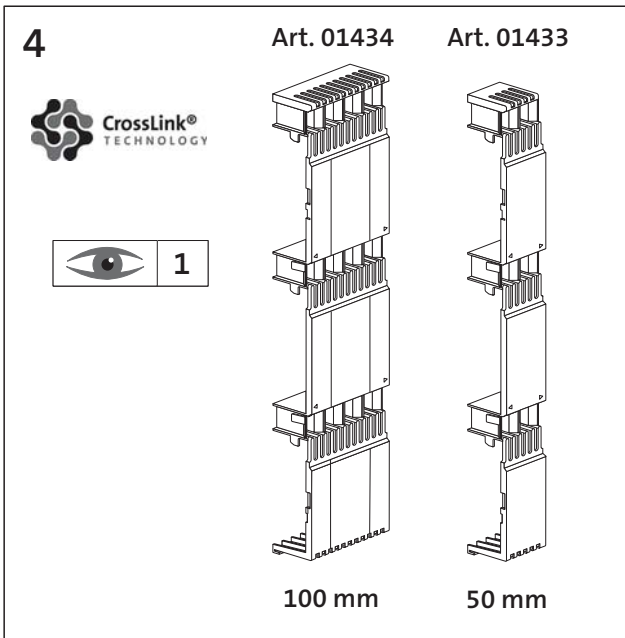
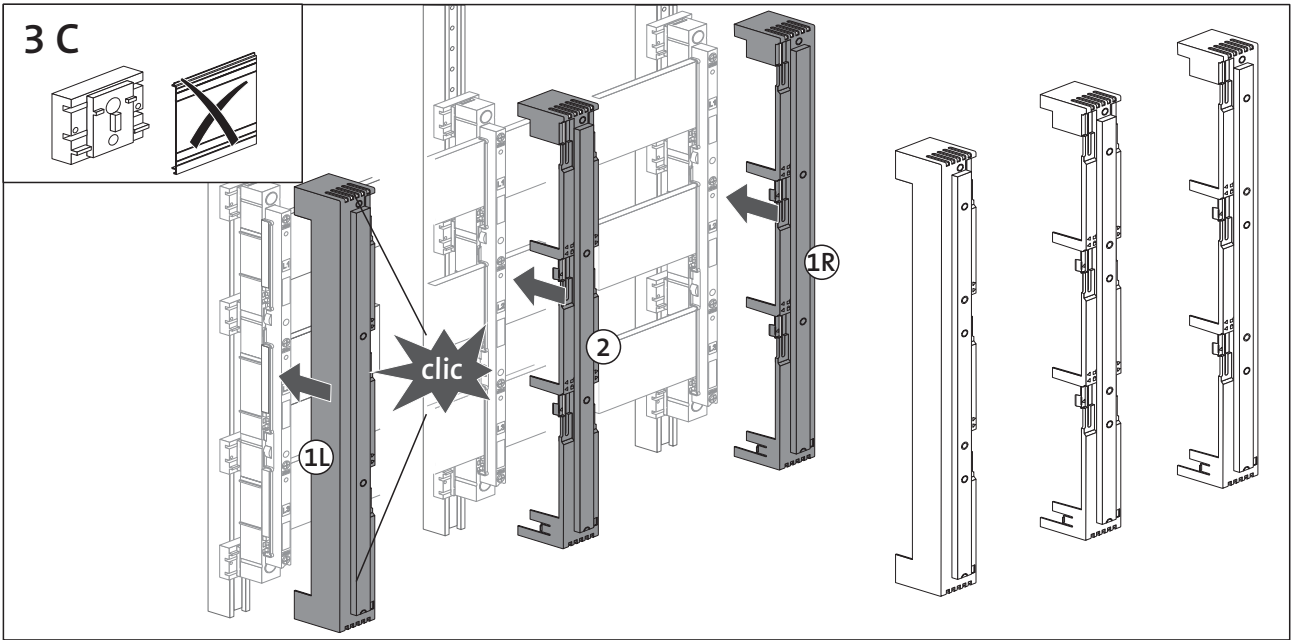
L

A


L

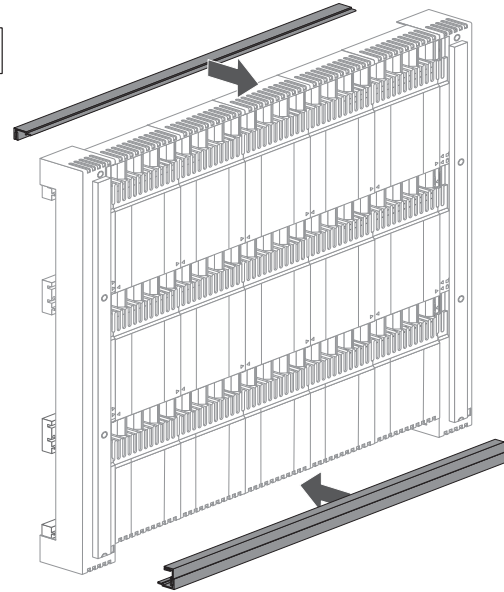
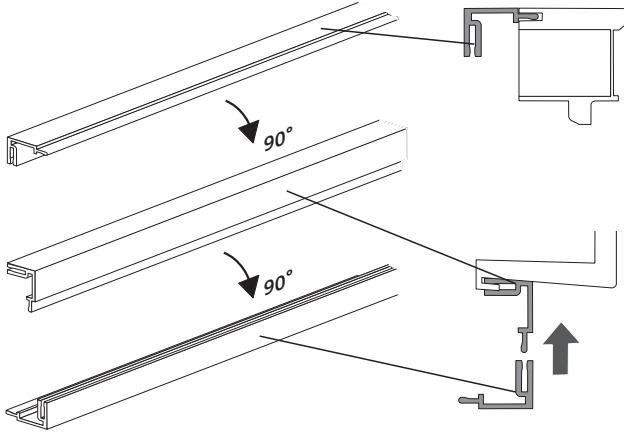




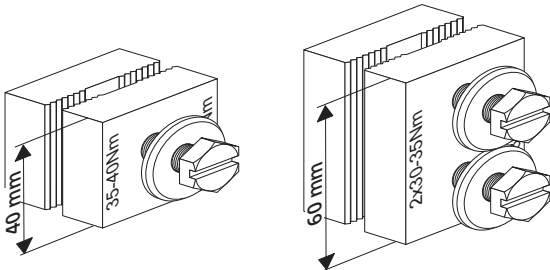


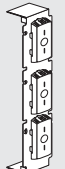
4.4

| Art. | L | A |  2 |
|-------|--------|--------|---|
| 01444 | 649 mm | 700 mm | |
| 01440 | 499 mm | 550 mm | |

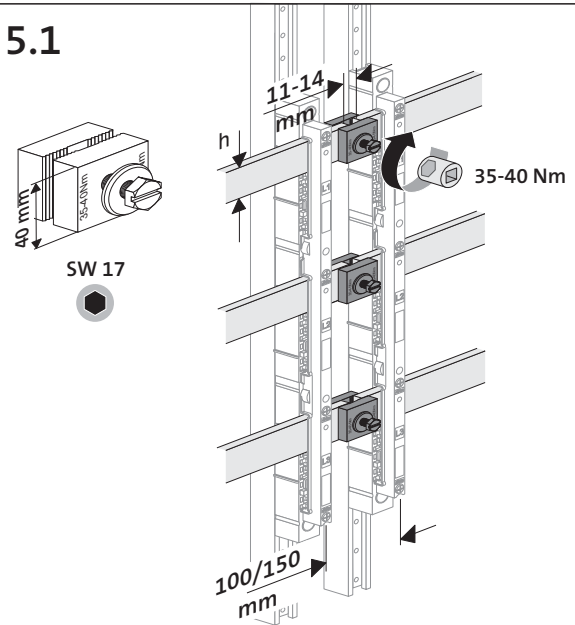


5

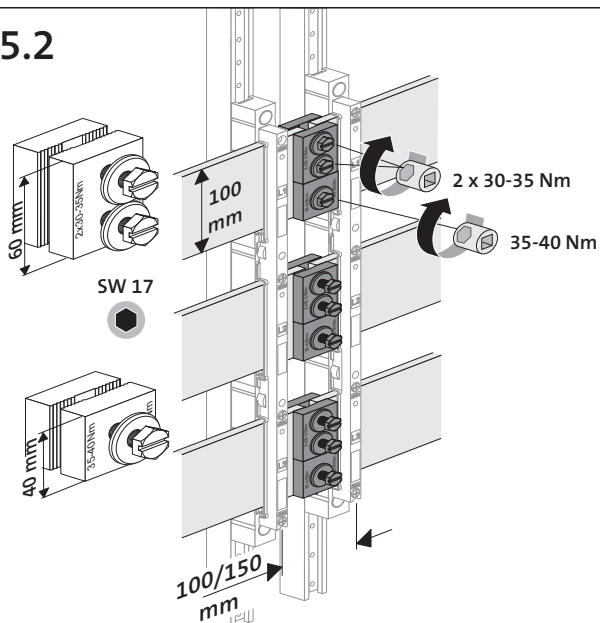


| h | Art. 01480 | Art. 01481 | Art. 01482 100 mm | Art. 01416 150 mm | |
|--------|------------|------------|---|----------------------|--|
| 30 mm | 1x | |  | | |
| 40 mm | 1x | | | | |
| 60 mm | | 1x | | | |
| 80 mm | 2x | | | | |
| 100 mm | 1x | + | | 1x | |
| 120 mm | | | | 2x | |

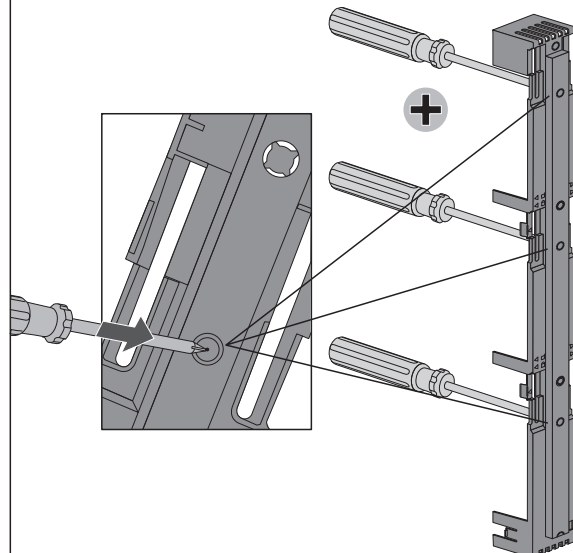
5.1

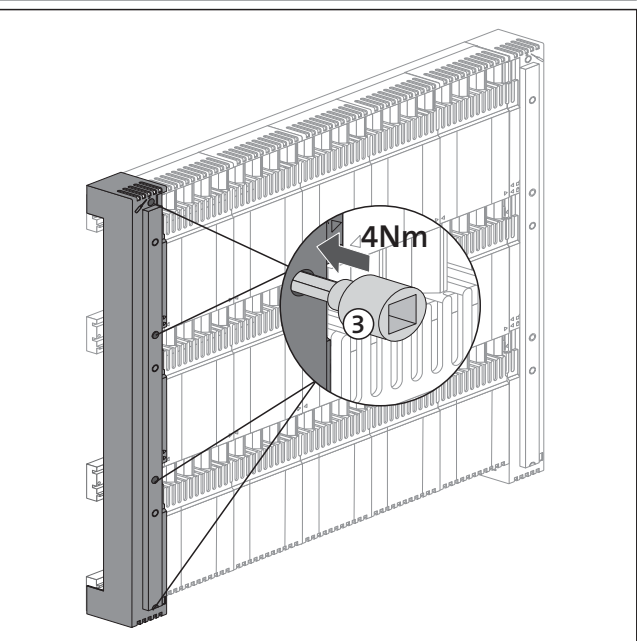
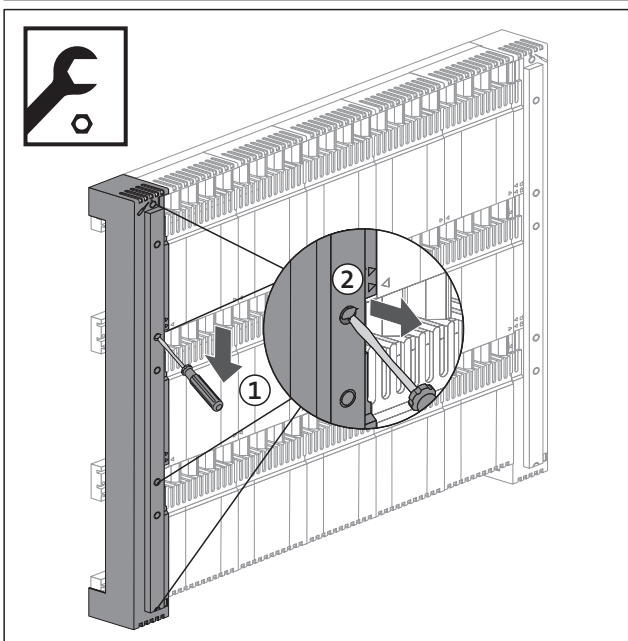
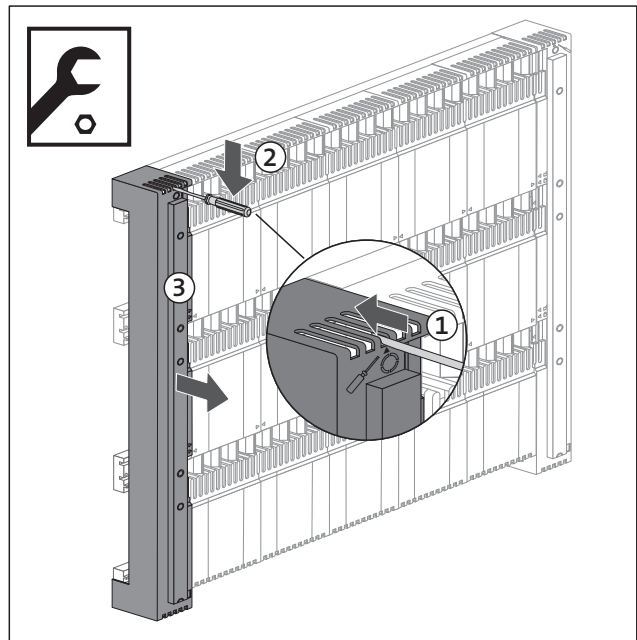
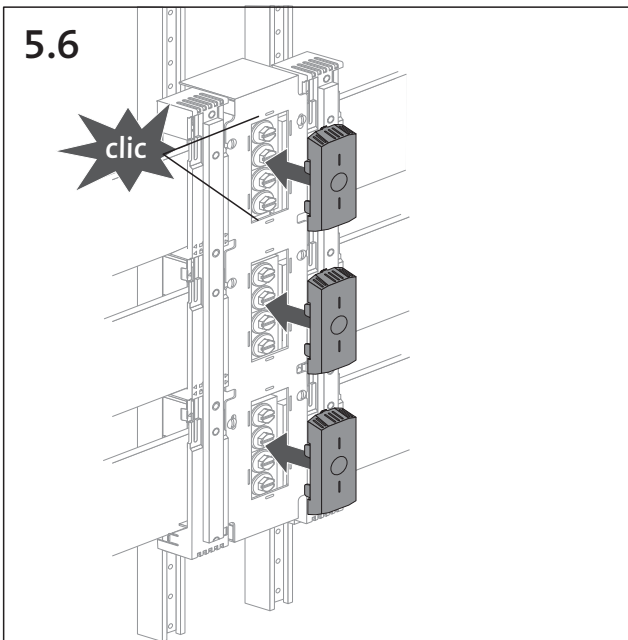
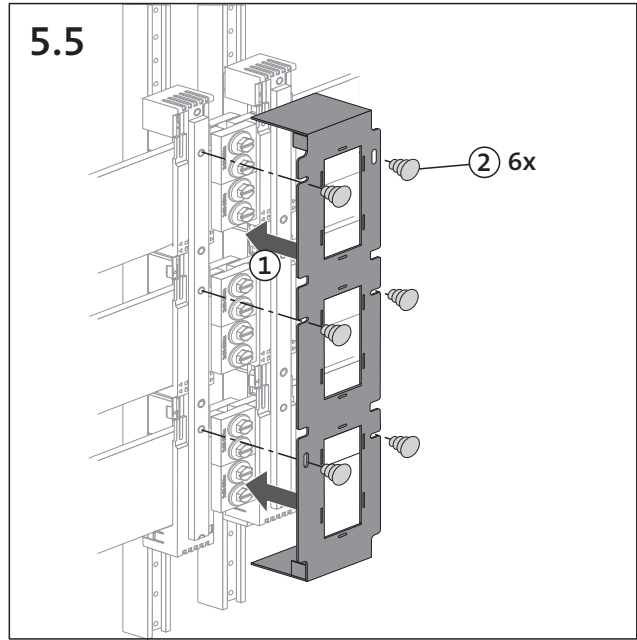
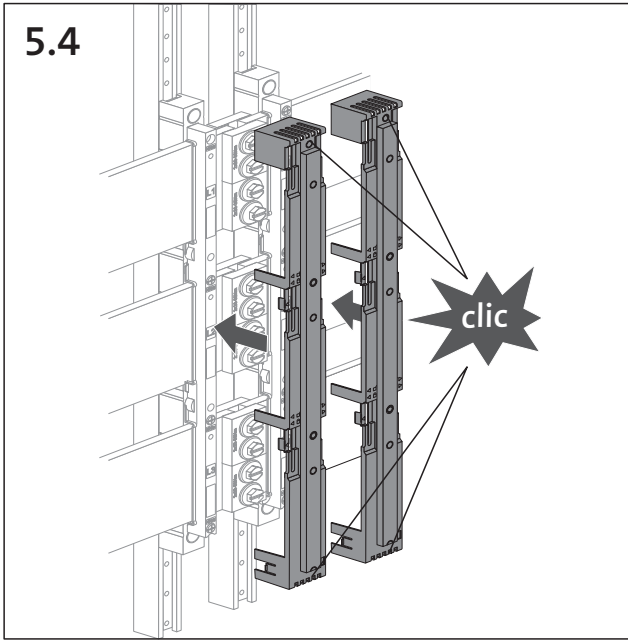


5.2

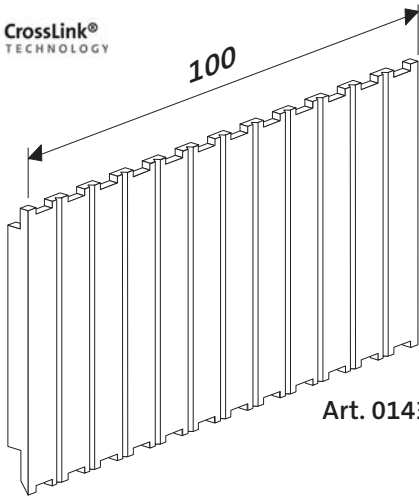


5.3



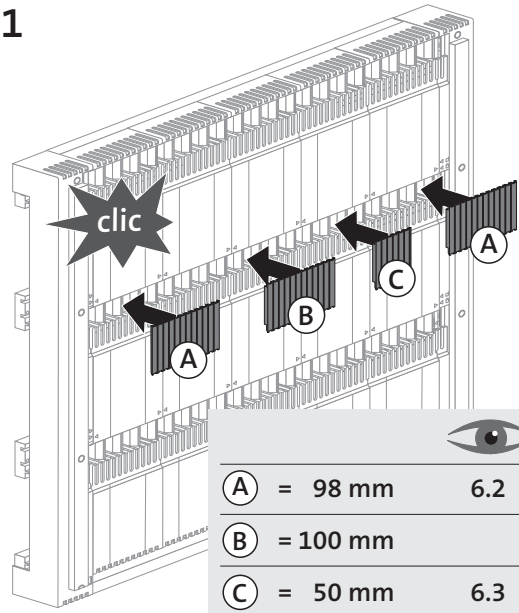


6



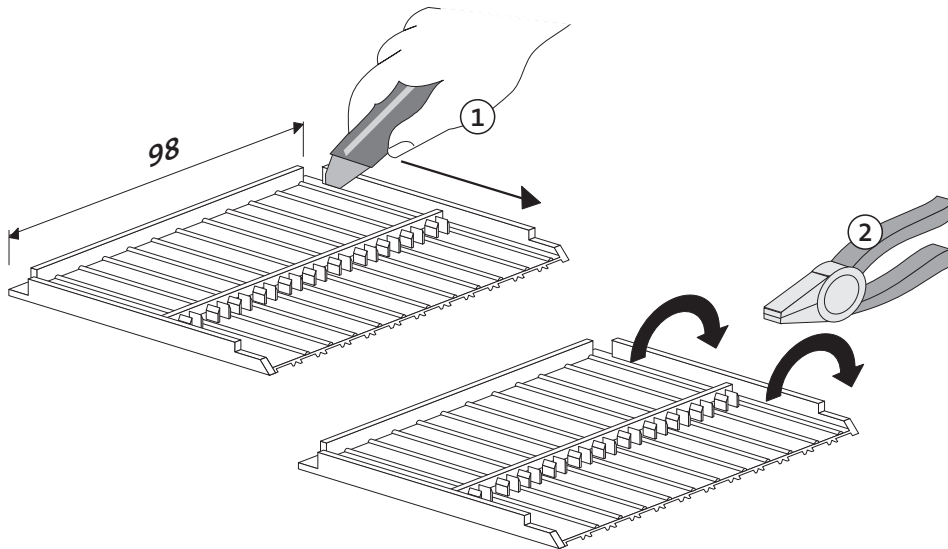
Art. 01435

6.1

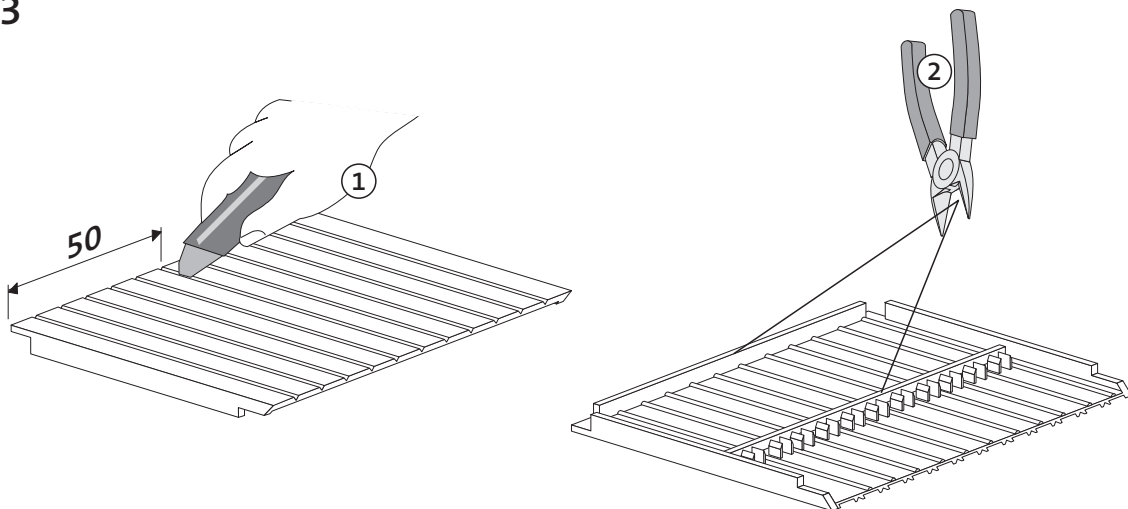



| | | |
|-----|----------|-----|
| (A) | = 98 mm | 6.2 |
| (B) | = 100 mm | |
| (C) | = 50 mm | 6.3 |

6.2



6.3

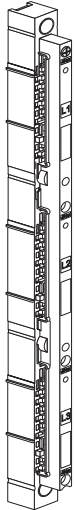


7 Listed accessories for use with Wöhner busbar support only 

All devices are suitable for use in branch and feeder circuits

1

D185*
Mandatory for
UL application

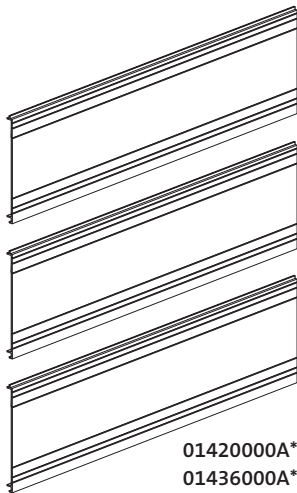


S185-A120*
Only for use with
distance piece D 185*

Busbar Support
1000Vac/Vdc/3pole

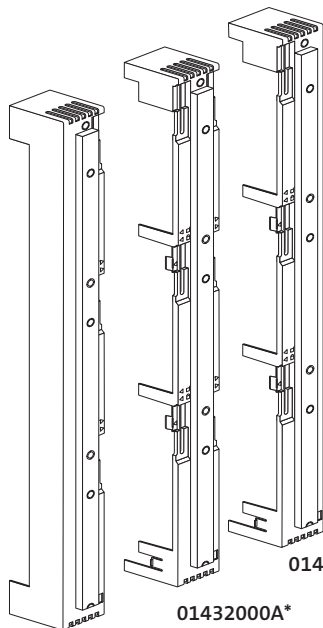
| max. distance between support 600 mm | | |
|--------------------------------------|----------------|-----------|
| Type No. | Busbar [mm] | SCCR [kA] |
| S185-A120* with D185* | 30x10 - 40x10 | 42 |
| | 60x10 - 120x10 | 50 |

2



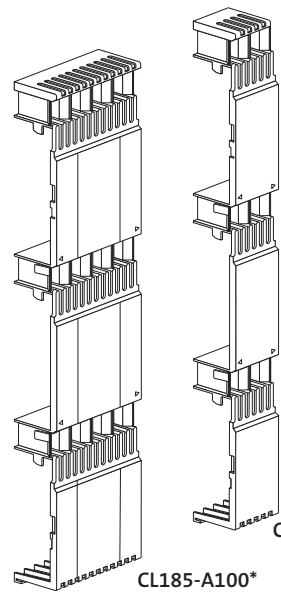
01420000A*
01436000A*

3 B+C

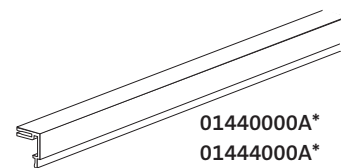


01431000A*
01432000A*
01431000A*

4



CL185-A100*
CL185-A50*



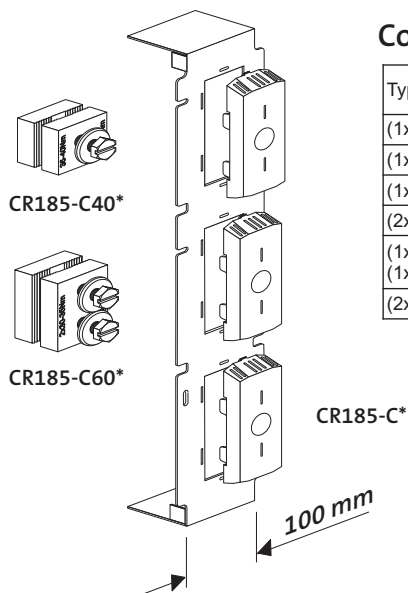
01440000A*
01444000A*

*Type No. according to 

7 Listed accessories for use with Wöhner busbar support only

All devices are suitable for use in branch and feeder circuits

5



Connection Terminals

| Type No. | Busbar [mm] | SCCR [kA] | Voltage/ Current/3pole |
|------------------------------------|-------------|-----------|------------------------|
| (1x) CR185-C40* | 30x10 | 42 | 1000Vac/Vdc/630A |
| (1x) CR185-C40* | 40x10 | 42 | 1000Vac/Vdc/700A |
| (1x) CR185-C60* | 60x10 | 50 | 1000Vac/Vdc/1100A |
| (2x) CR185-C40* | 80x10 | 50 | 1000Vac/Vdc/1300A |
| (1x) CR185-C40* (1x) CR185-C60* | 100x10 | 50 | 1000Vac/Vdc/1550A |
| (2x) CR185-C60* | 120x10 | 50 | 1000Vac/Vdc/1800A |

Listed accessories for use with Wöhner busbar support only

All devices are suitable for use in branch and feeder circuits

Busbars

| Type No. | Dimension [mm] | SCCR [kA] | Voltage/ Current/3pole |
|-----------|----------------|-----------|------------------------|
| 30x10-L* | 30x10 | 42 | 1000Vac/Vdc/630A |
| 40x10-L* | 40x10 | 42 | 1000Vac/Vdc/700A |
| 60x10-L* | 60x10 | 50 | 1000Vac/Vdc/1100A |
| 80x10-L* | 80x10 | 50 | 1000Vac/Vdc/1300A |
| 100x10-L* | 100x10 | 50 | 1000Vac/Vdc/1550A |
| 120x10-L* | 120x10 | 50 | 1000Vac/Vdc/1800A |

Power Terminals

| Type No. | Busbar [mm] | SCCR [kA] | Voltage/ Current/3pole |
|---------------|----------------|-----------|------------------------|
| CR185-A2x300* | 30x10 - 120x10 | 35 | 1000Vac/Vdc/840A |
| CR185-A80* | 30x10 - 40x10 | 42 | 1000Vac/Vdc/1400A |
| | 60x10 - 120x10 | 50 | |
| CR185-A2x12* | 30x10 - 40x10 | 42 | 1000Vac/Vdc/1520A |
| | 60x10 - 120x10 | 50 | |

CR185-A80*: only for use on a system carrying maximum 1400A

CR185-A2x12*: only for use on a system carrying maximum 1520A

Notizen

A grid of 20 columns and 30 rows of small dots for taking notes.

Notizen

Grid of 20 rows and 20 columns of dots for notes.