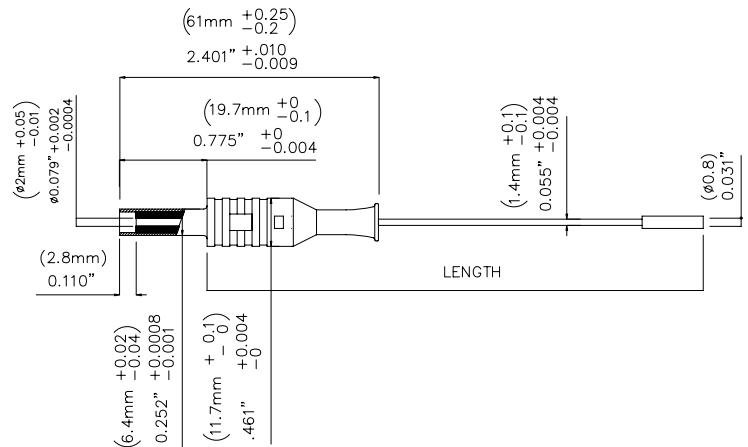


Models 72904
Clip lead for Micro SMD Grabber



Attach your Micro SMD Grabber to 2mm test leads

Features

- Clip lead for easy attachment of Micro SMD Grabber (72906) to test leads with 2mm plugs.
- 0.8mm female/2 mm female

Materials

- Connector Body is Nickel plated Brass.
- Connector insulation is Polypropylene
- 0.8mm Socket is Gold over Nickel plated Brass.
- Insulation of 0.8mm is Elastomere
- Wire is Silicone.

Ordering Information

Model: 72904-Color
Available Colors: Black (-0), Red (-2)

Specifications

Max Current	Max. 2A
Max Voltage	33 V AC/70 V DC
Temperature	-20° C + 80° C
Max Resistance	Less than 8 mΩ

Rating: *hands free testing* in controlled environment: 70Vrms max. For CE compliance: Not intended for hand-held use at voltages above 33Vrms/70Vdc