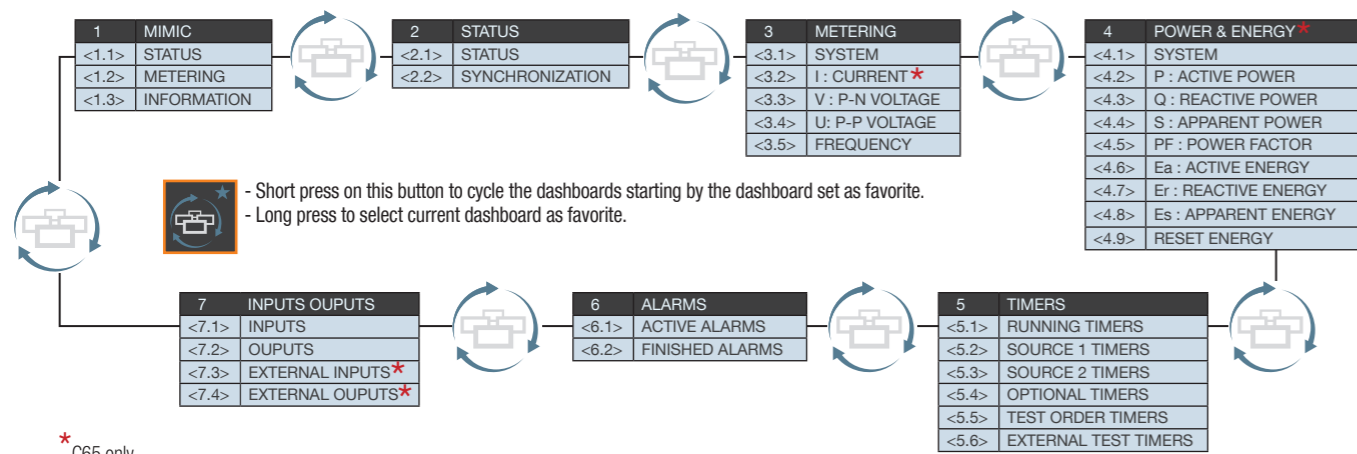
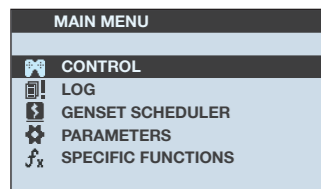


STEP 4 Visualization

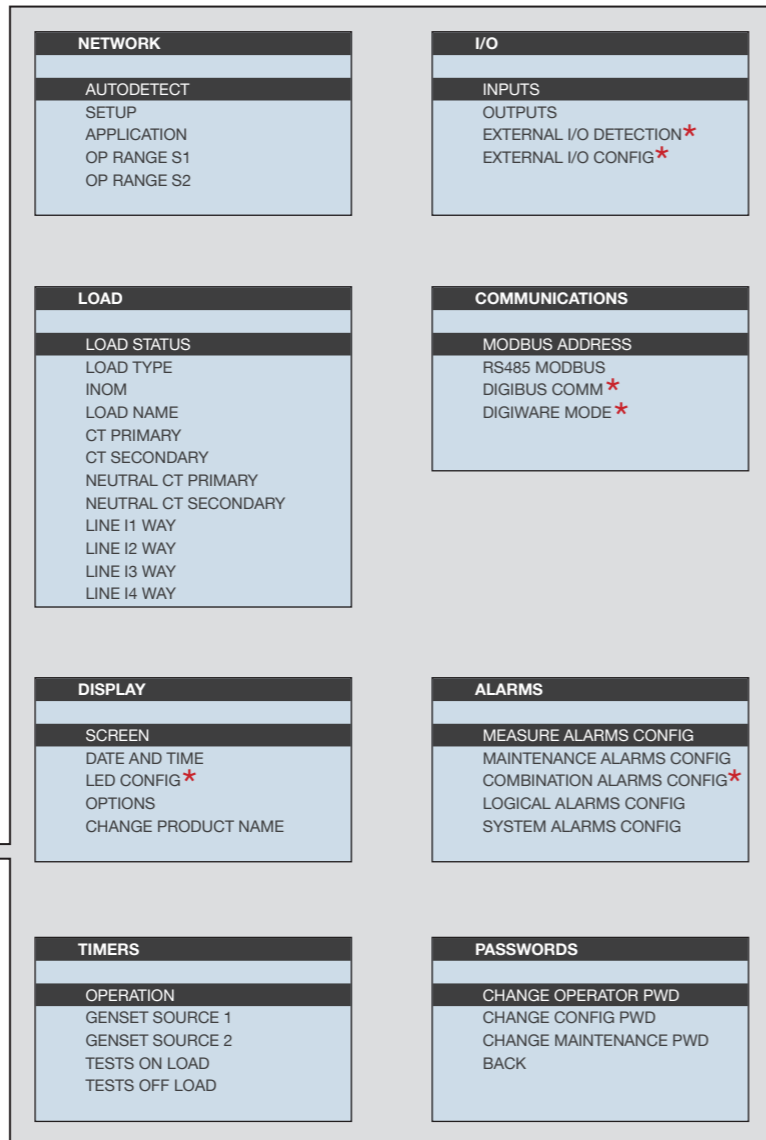
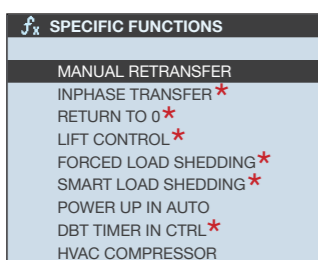
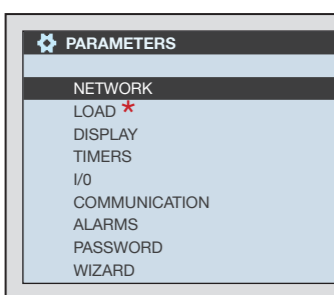
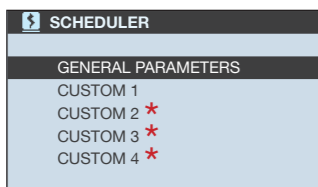
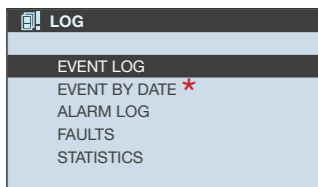
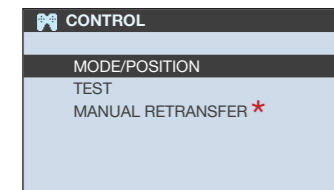


* C65 only

STEP 5 Menus & programming



Short press on this button to go back one level.
Long press to access the menus.



* C65 only



QUICK START EN

ATyS C55/65

ATS Controller

Preliminary operations

Check the following upon delivery and after removal of the packaging:

- Packaging and contents are in good condition.
- The product reference corresponds to the order.
- Contents should include:
Qty 1 x C55 or C65 Controller
Qty 1 x Controller IP65 gasket (C65 only)
Qty 4x door mounting screws
Qty 4x backplate mounting feet

Warning

⚠ Risk of electrocution, burns or injury to persons and / or damage to equipment.

This Quick Start is intended for personnel trained in the installation and commissioning of this product. For further details refer to the product instruction manual available on the SOCOMEC website.

- This product must always be installed and commissioned by qualified and approved personnel.
 - Maintenance and servicing operations should be performed by trained and authorized personnel.
 - Do not handle any control or power cables connected to the product when voltage may be, or may become present on the product, directly through the mains or indirectly through external circuits.
 - Always use an appropriate voltage detection device to confirm the absence of voltage.
 - Ensure that no metal objects are allowed to fall in the cabinet (risk of electrical arcing).
- Failure to observe good engineering practices as well as to follow these safety instructions may expose the user and others to serious injury or death.

Accessories

- In case the product is dropped or damaged in any way it is recommended to replace the complete product.
- Installation standards must be respected.

Spares

- Digiware I/O 10 (ref. 48290140)
 - Gateway M70 (ref. 48290222)
 - Controller 24 VDC aux power supply (6W minimum type SELV) mandatory with I/O 10 Modules
- * For further details refer to the product instruction manual under chapter "Spares and Accessories"



CORPORATE HQ CONTACT:
SOCOMECSAS,
1-4 RUE DE WESTHOUSE,
67235 BENFELD, FRANCE

www.socomec.com
To download, brochures, catalogues
and technical manuals

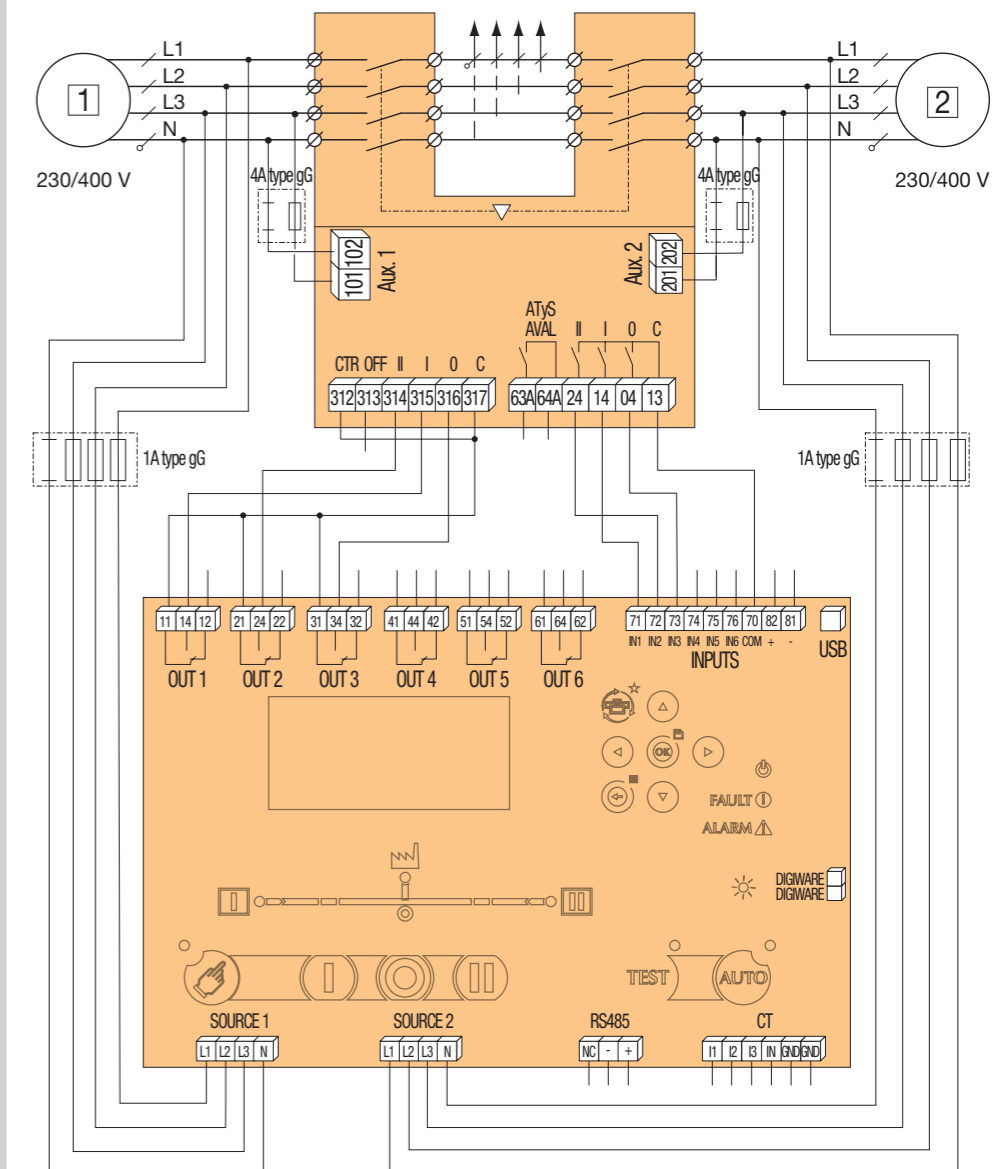
IEC 61010

Non contractual document.
Subject to change without notice.

Installation and Commissioning

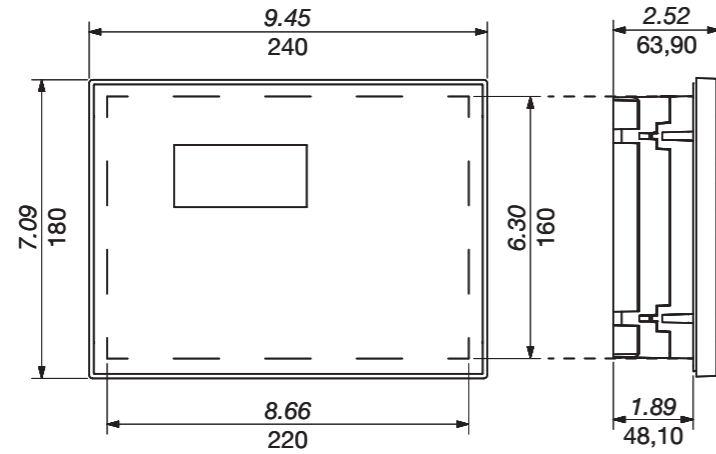


Connection diagram with ATYS d



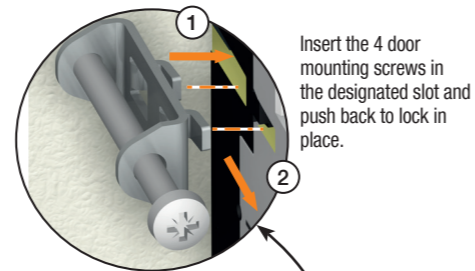
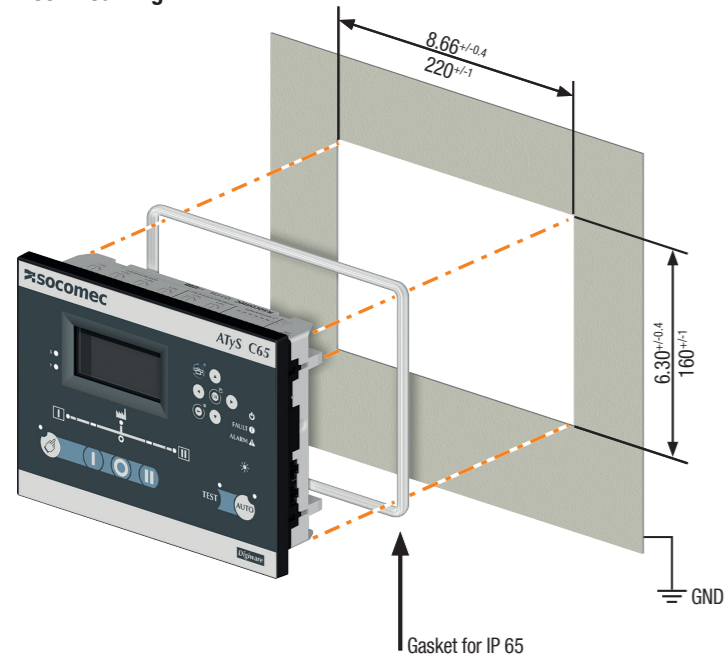
STEP 1A Product dimensions

Dual Dimensions
in/mm

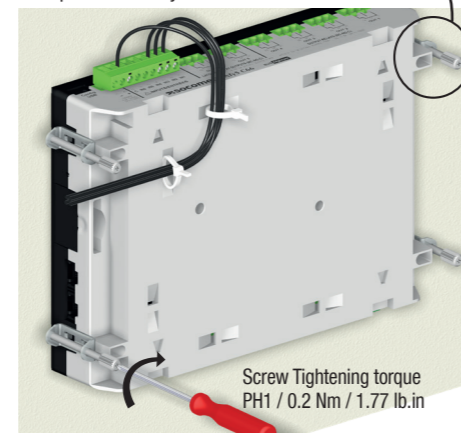


STEP 1B Mounting & connecting controller

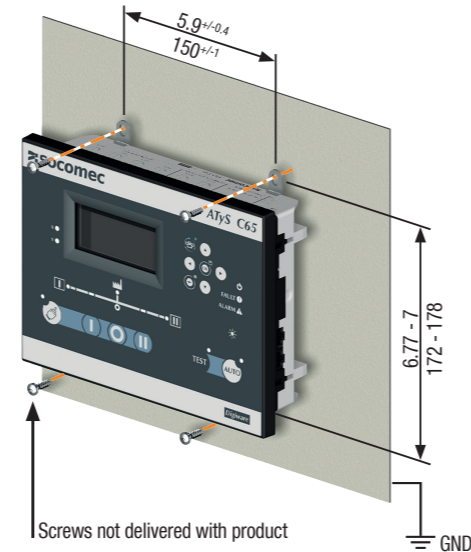
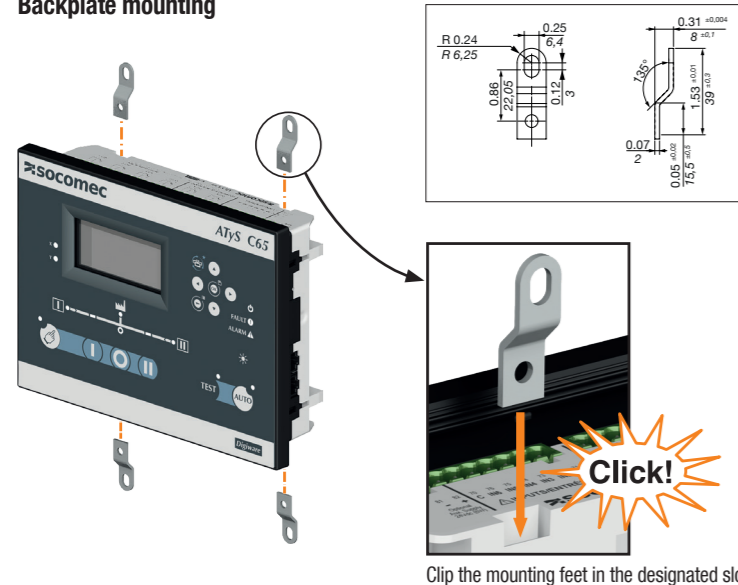
Door mounting



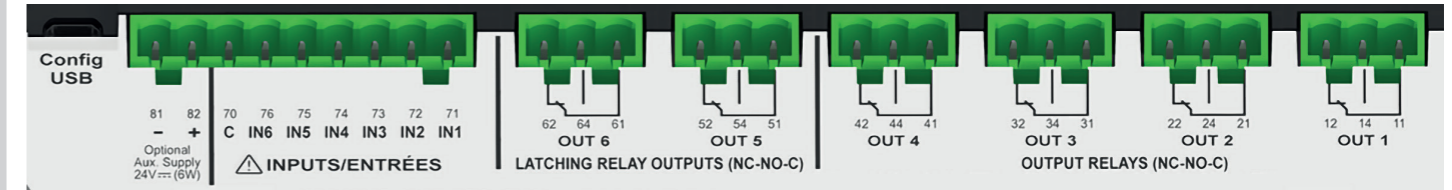
Example of cable way.



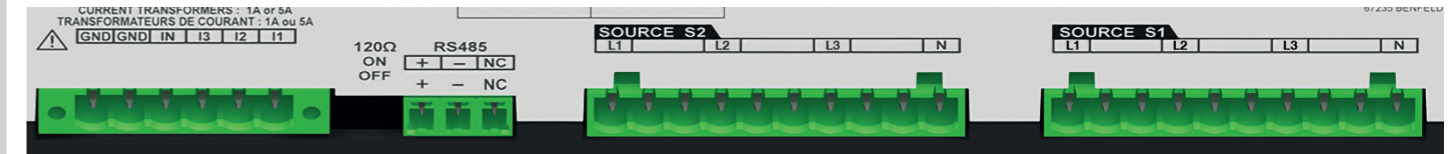
Backplate mounting



STEP 2 Controller wiring



Top view

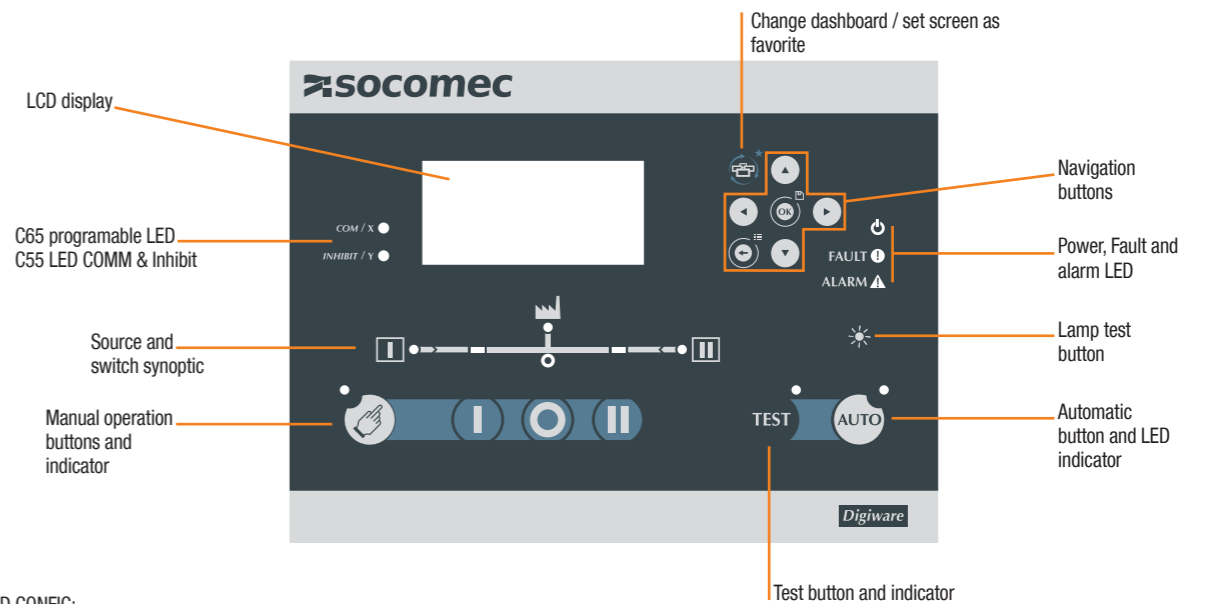


Bottom view

TYPE	TERMINAL N°	DESCRIPTION	CHARACTERISTICS	RECOMENDED CROSS SECTION
Inputs	71	IN1: programmable input	Do not connect to any power supply from terminal 70 common point.	1.5-2.5mm ² AWG 16-14 Tightening torque 0.5-0.6 Nm 4.4-5.3 Lb.in
	72	IN2: programmable input		
	73	IN3: programmable input		
	74	IN4: programmable input		
	75	IN5: programmable input		
	76	IN6: programmable input		
Aux power supply	81/82	-: negative terminal for aux supply +: positive terminal of aux supply	12-24 Vd.c.	
Outputs	12/14/11	OUT1: reserved (switch ODR1)	Dry contacts 8A / 277 VAC 50/60 Hz 5A / 24 VDC	
	22/24/21	OUT2: reserved (switch ODR2)		
	32/34/31	OUT3: programmable output		
	42/44/41	OUT4: programmable output		
Latching relays	52/54/51	OUT 5: programmable latching relay		
	62/64/61	OUT 6: genset start relay		
Current transformers	IN13/12/11	CT neutral / CT phase C / CT phase B / CT phase A	CT input 1A or 5A	
Serial connection	RS485	Connection RS485 -: negative terminal of RS485 bus +: positive terminal of RS485 bus NC: Ground	RS485 bus insulated	LYCY shielded twisted pair 0.14 to 1.5 mm ² / 30-14 AWG Tightening torque 0.22 - 0.25 Nm 1.9-2.2 Lb.in
Digiware*	DIGIBUS	Connection point for I/O 10 optional accessories (must use 24 VDC input)	RJ 45 digiware cable	

* For more information check I/O module instruction sheet ref 545597

STEP 3 Configuration



SMART WIZARD CONFIG:

When powered for the first time the controller will prompt the user to configure using the wizard. To access the wizard input code 1000 then the configuration will go as follow:



For advanced configuration go to parameters menu.